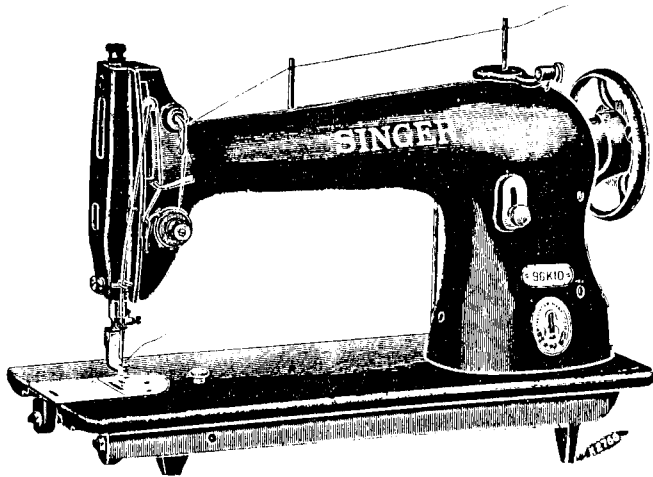


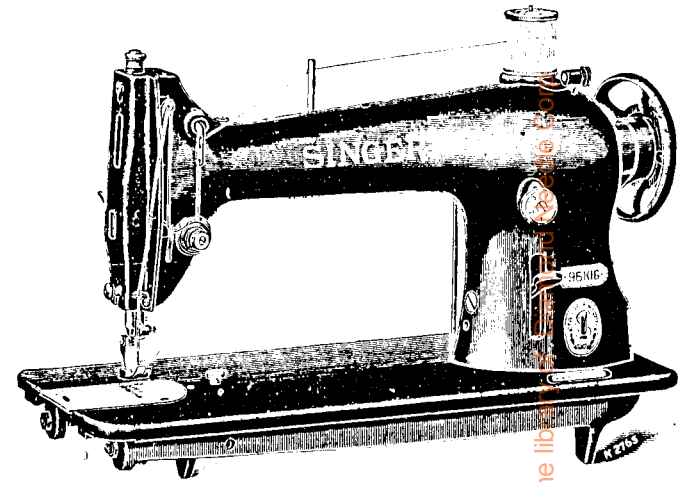
SINGER

96K

ILLUSTRATED
LIST OF PARTS
FOR
CLASS 96K MACHINES



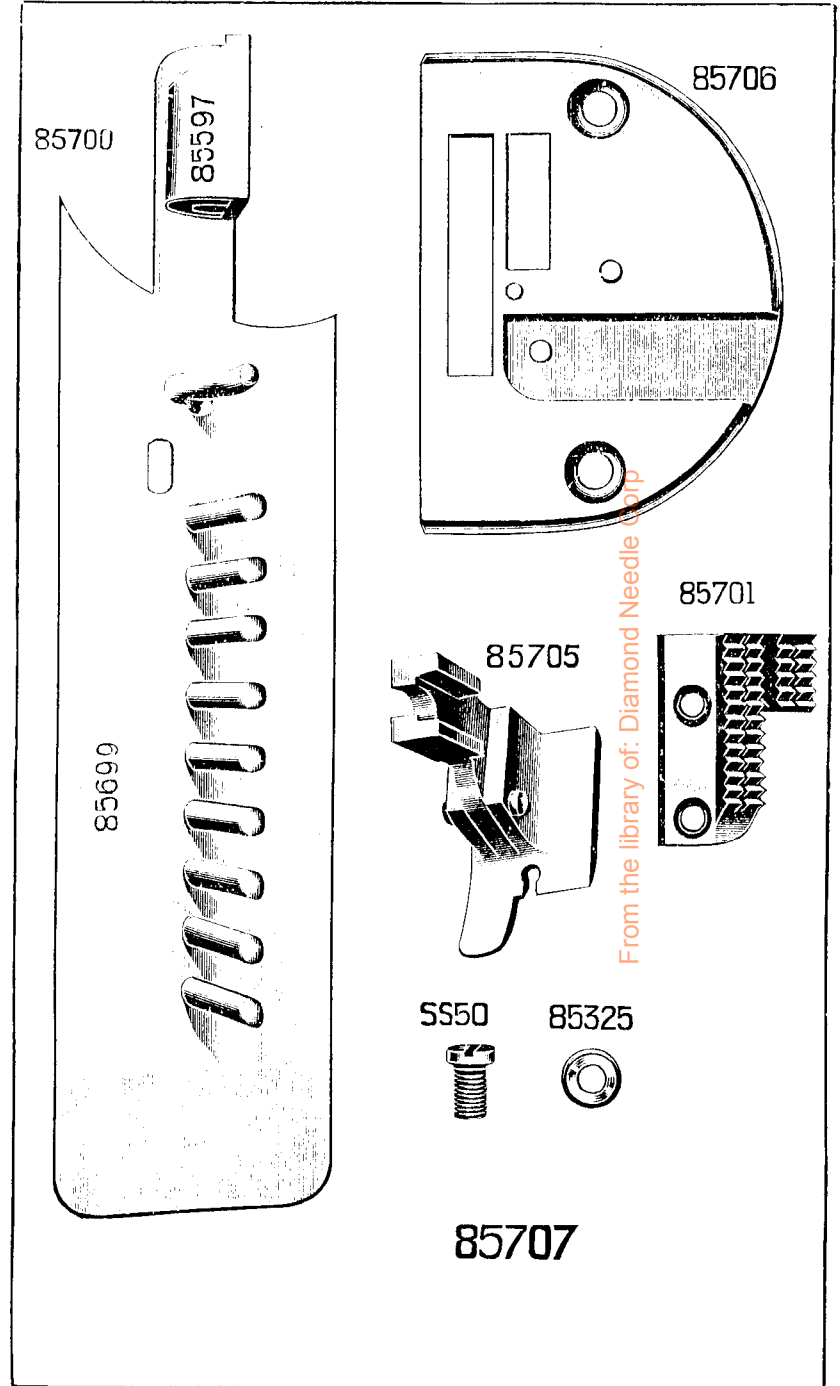
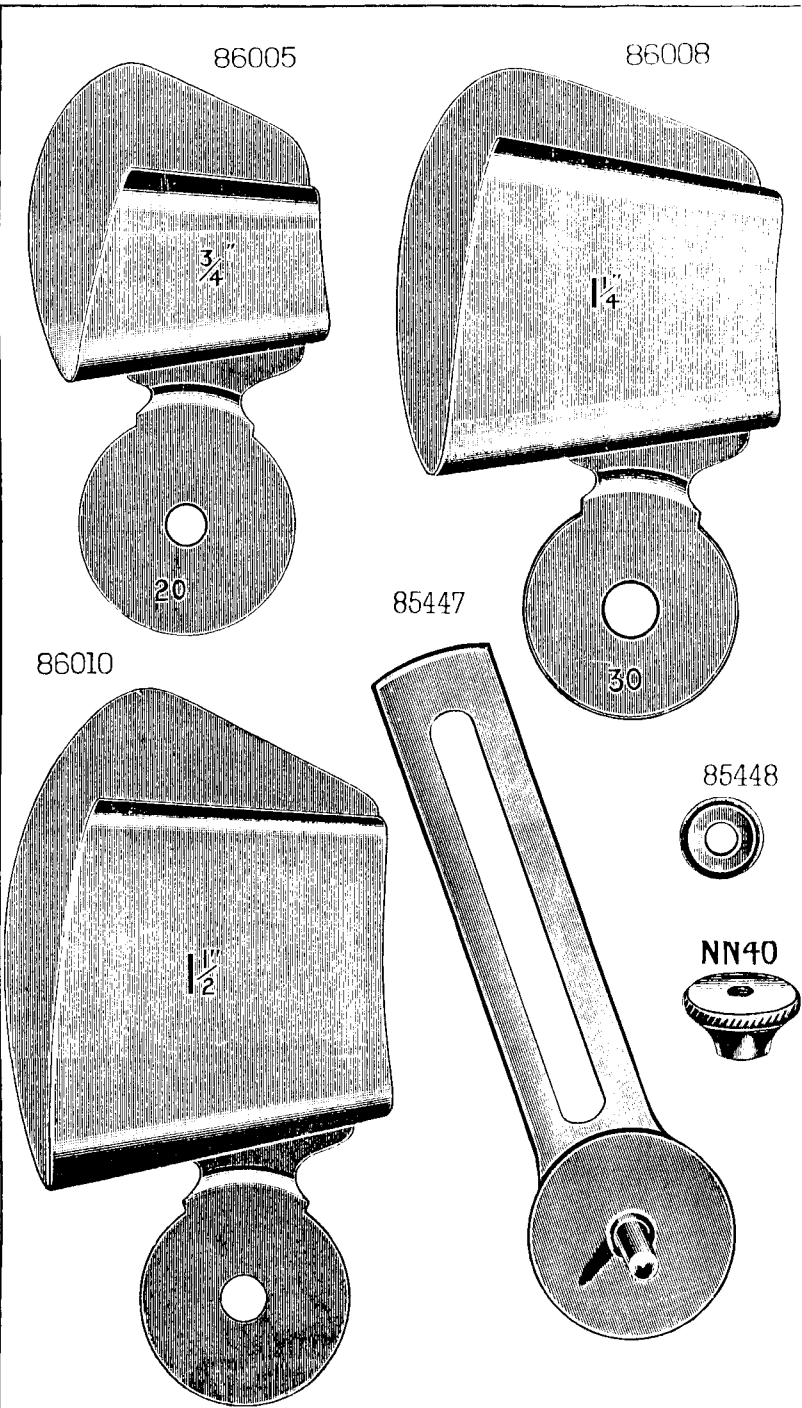
No. 96K10 Machine.

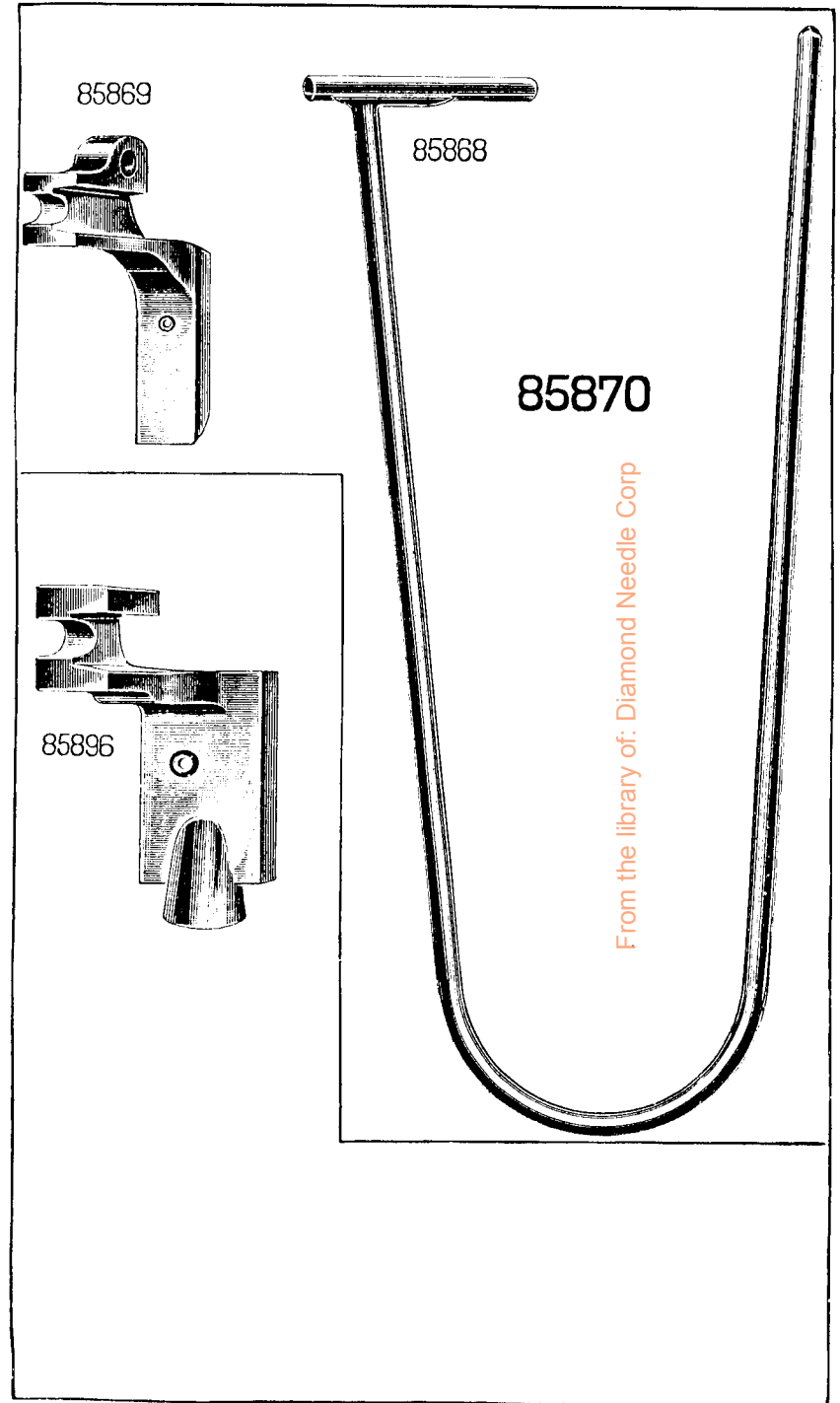
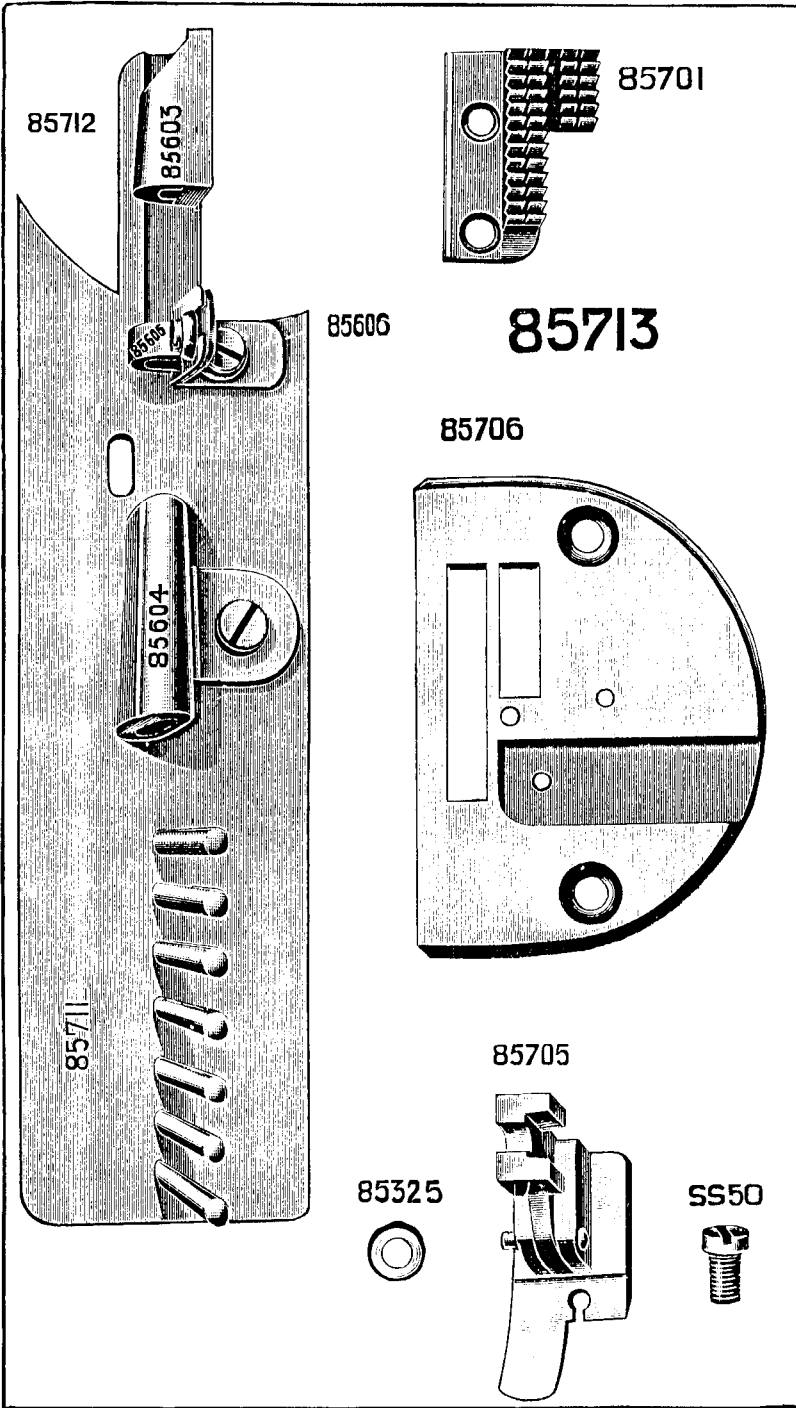


No. 96K16 Machine.

From the library of the University of Toronto

THE SINGER MANUFACTURING CO.





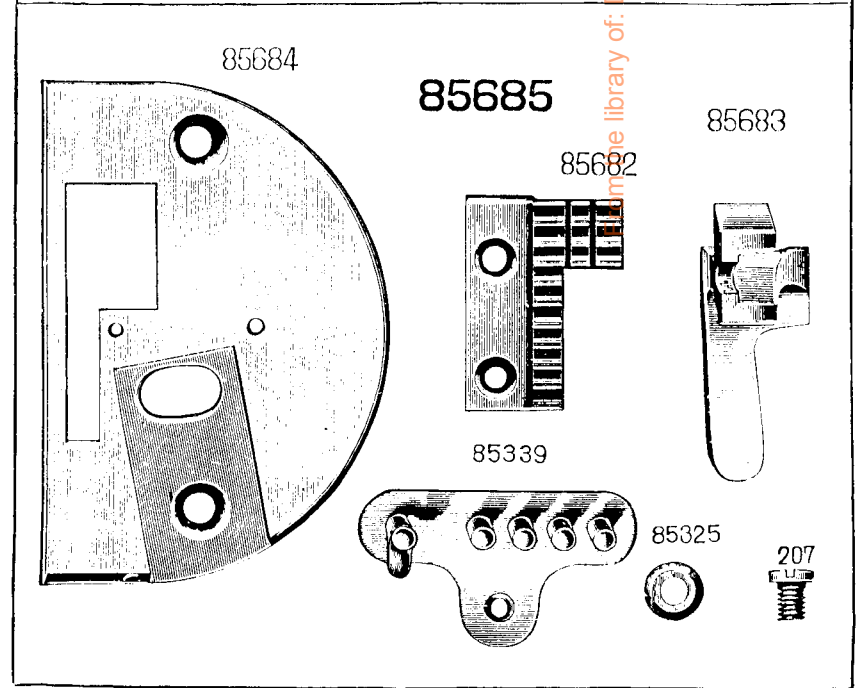
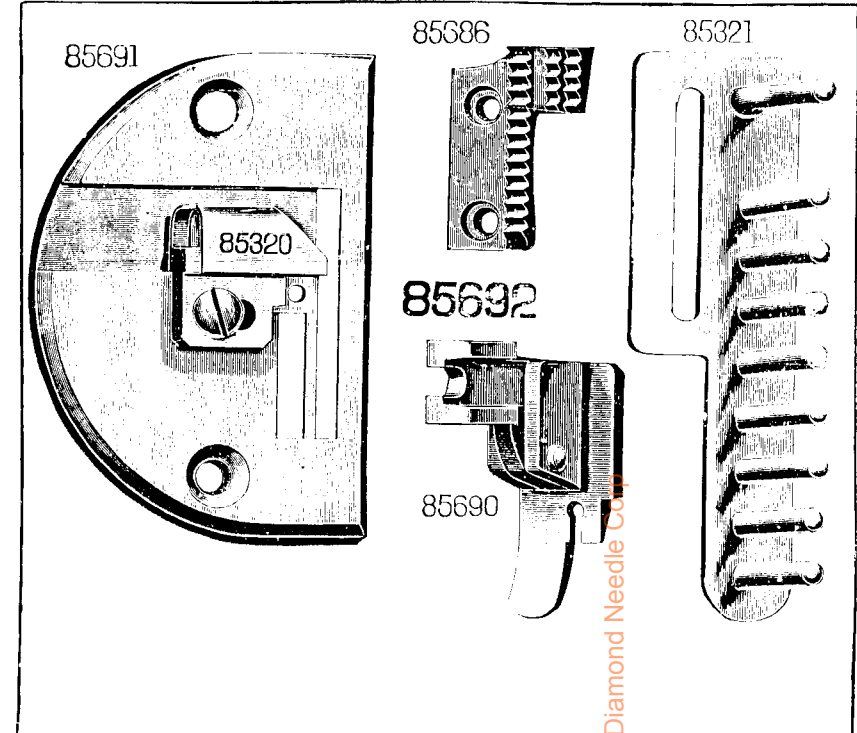
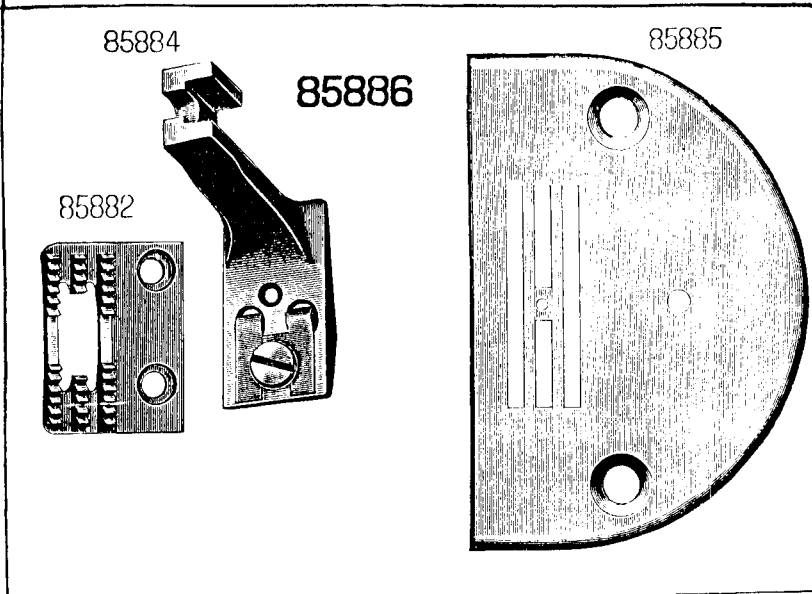
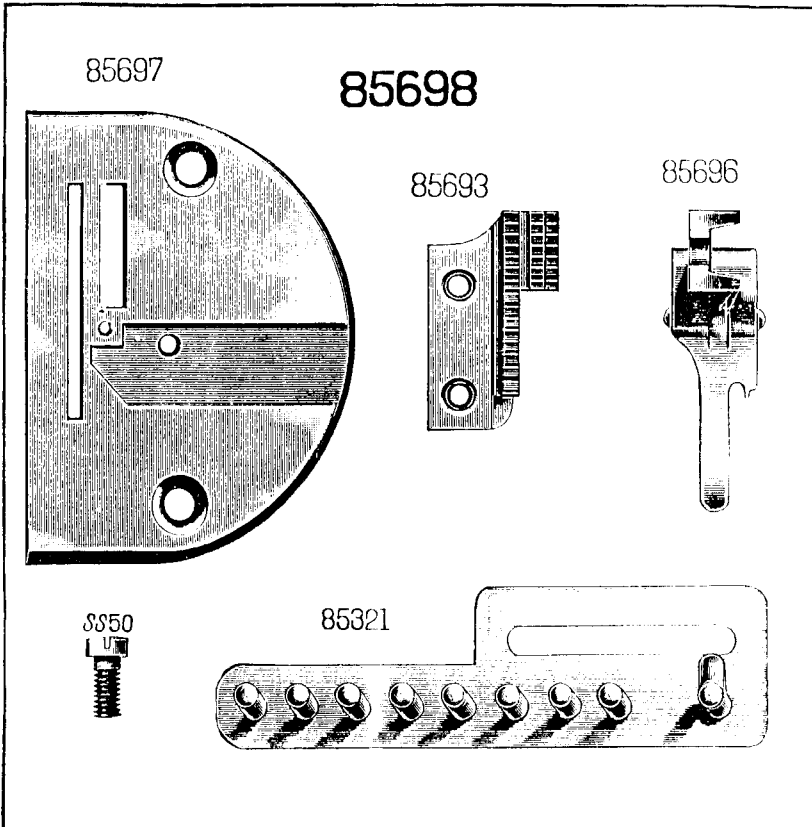
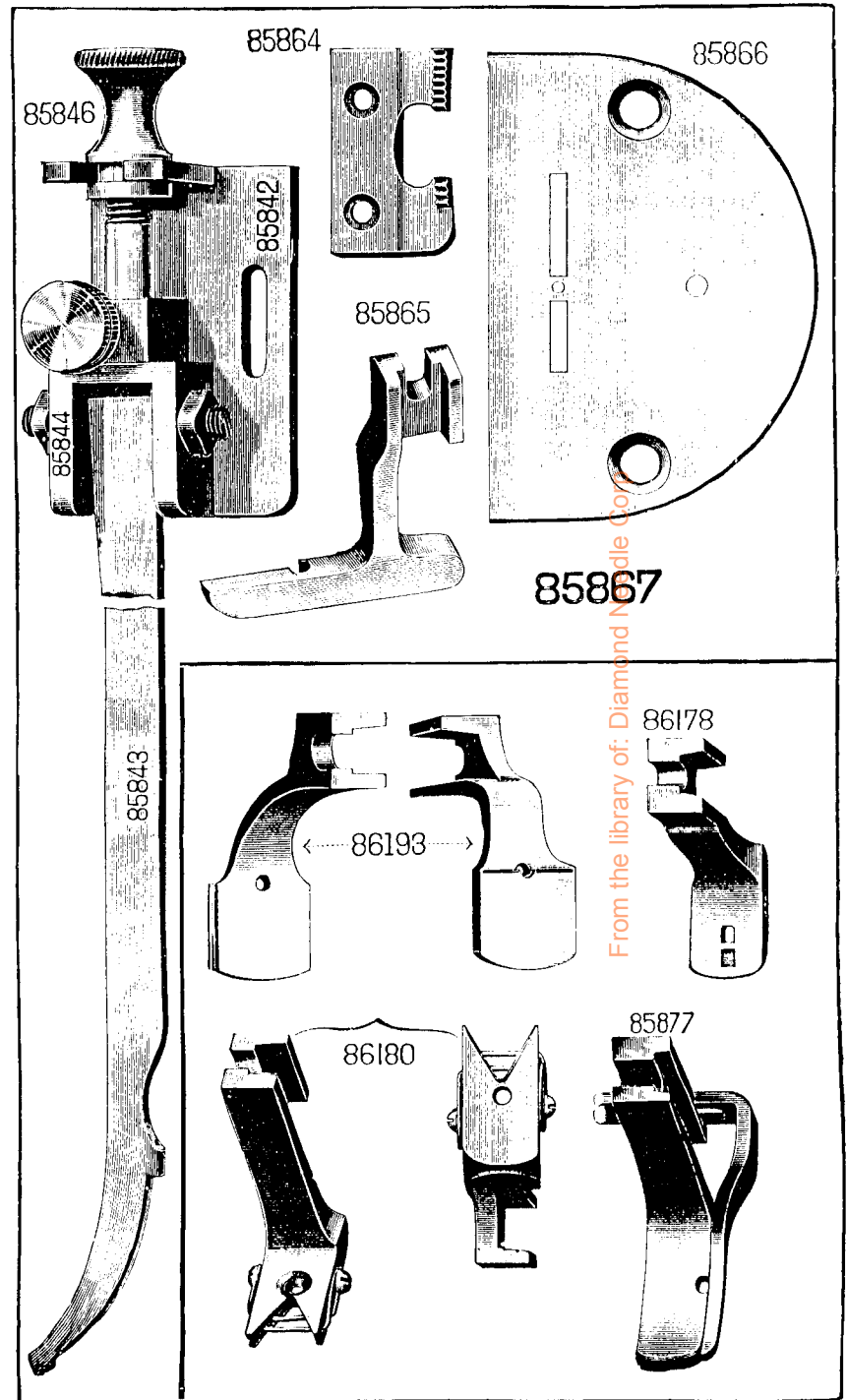
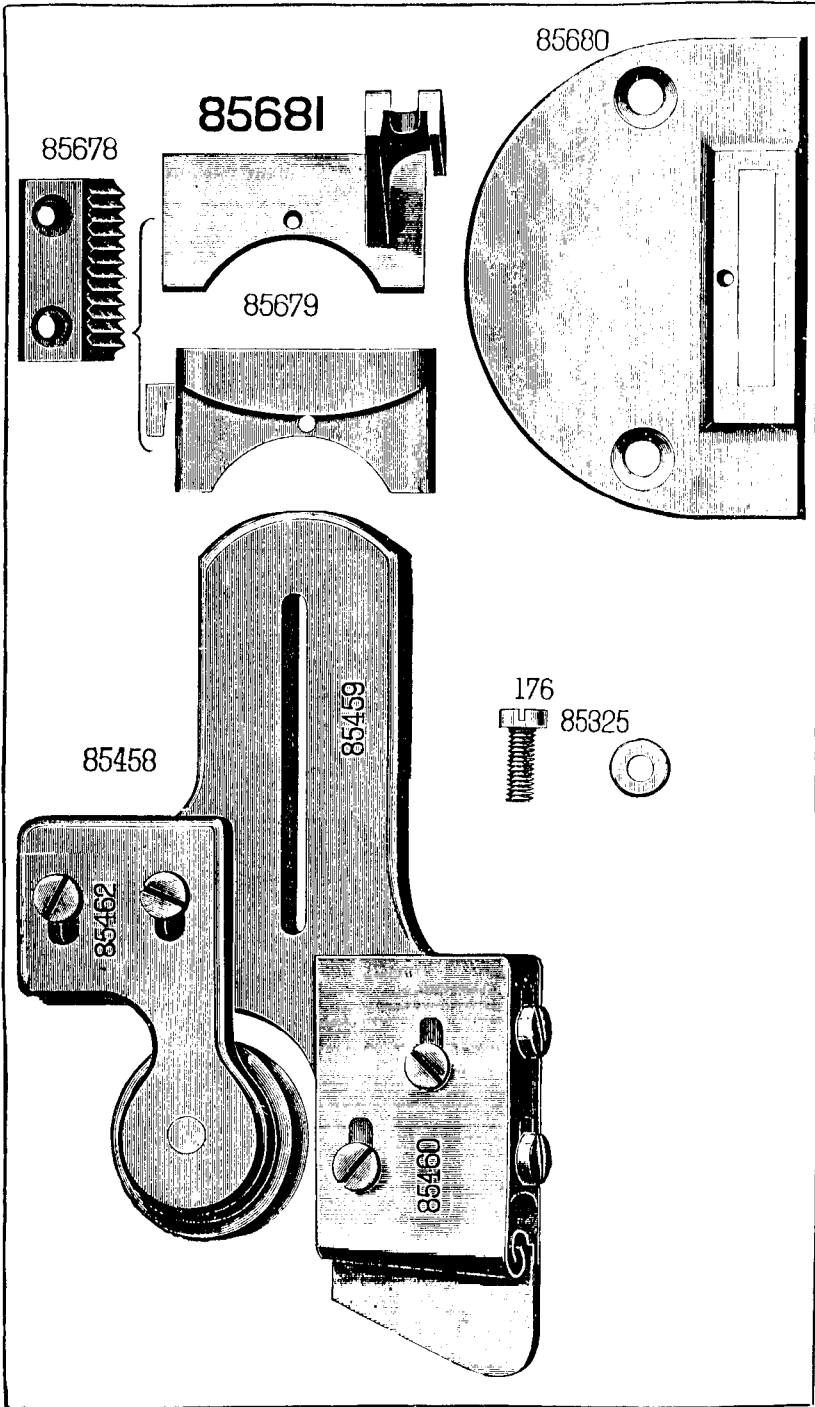
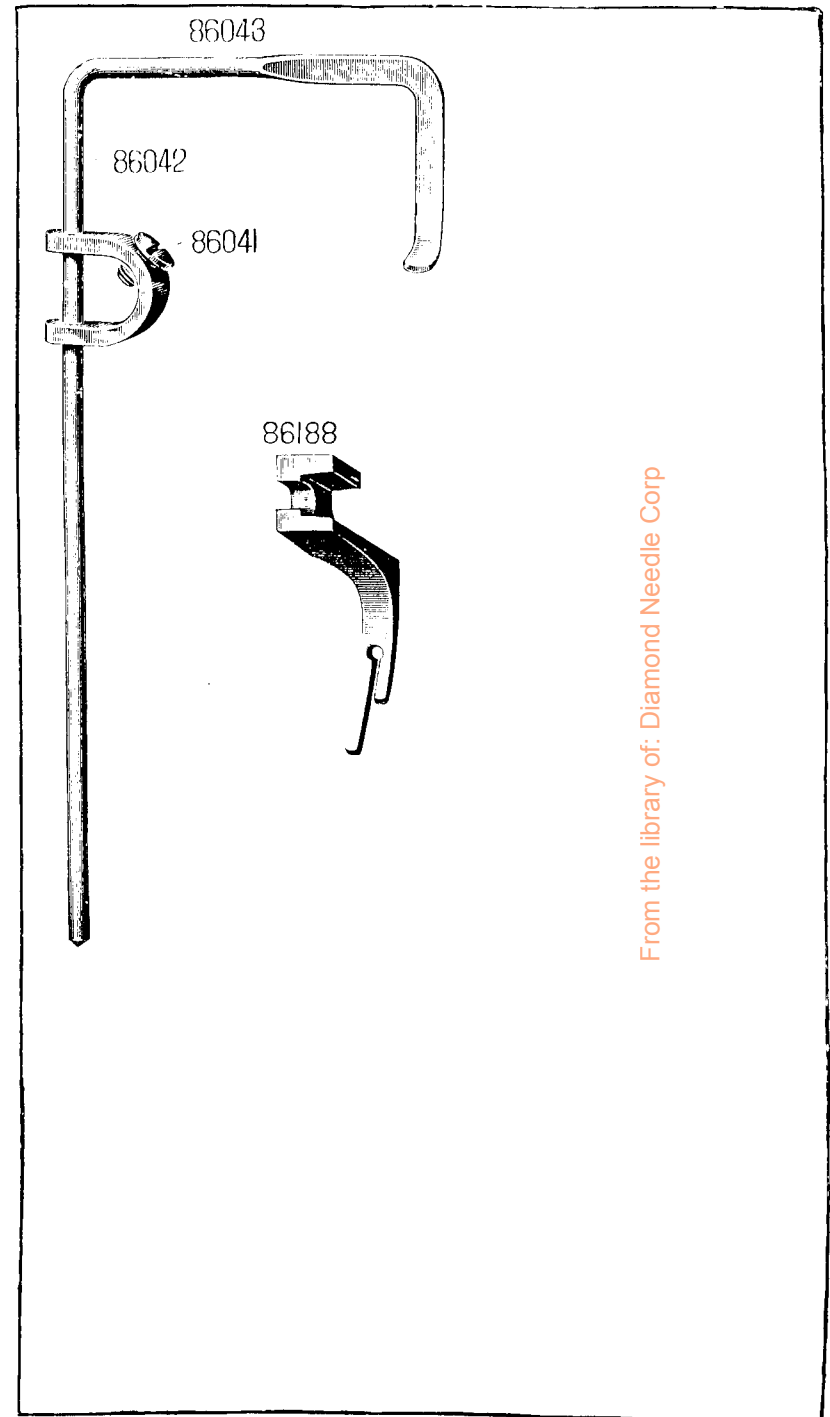
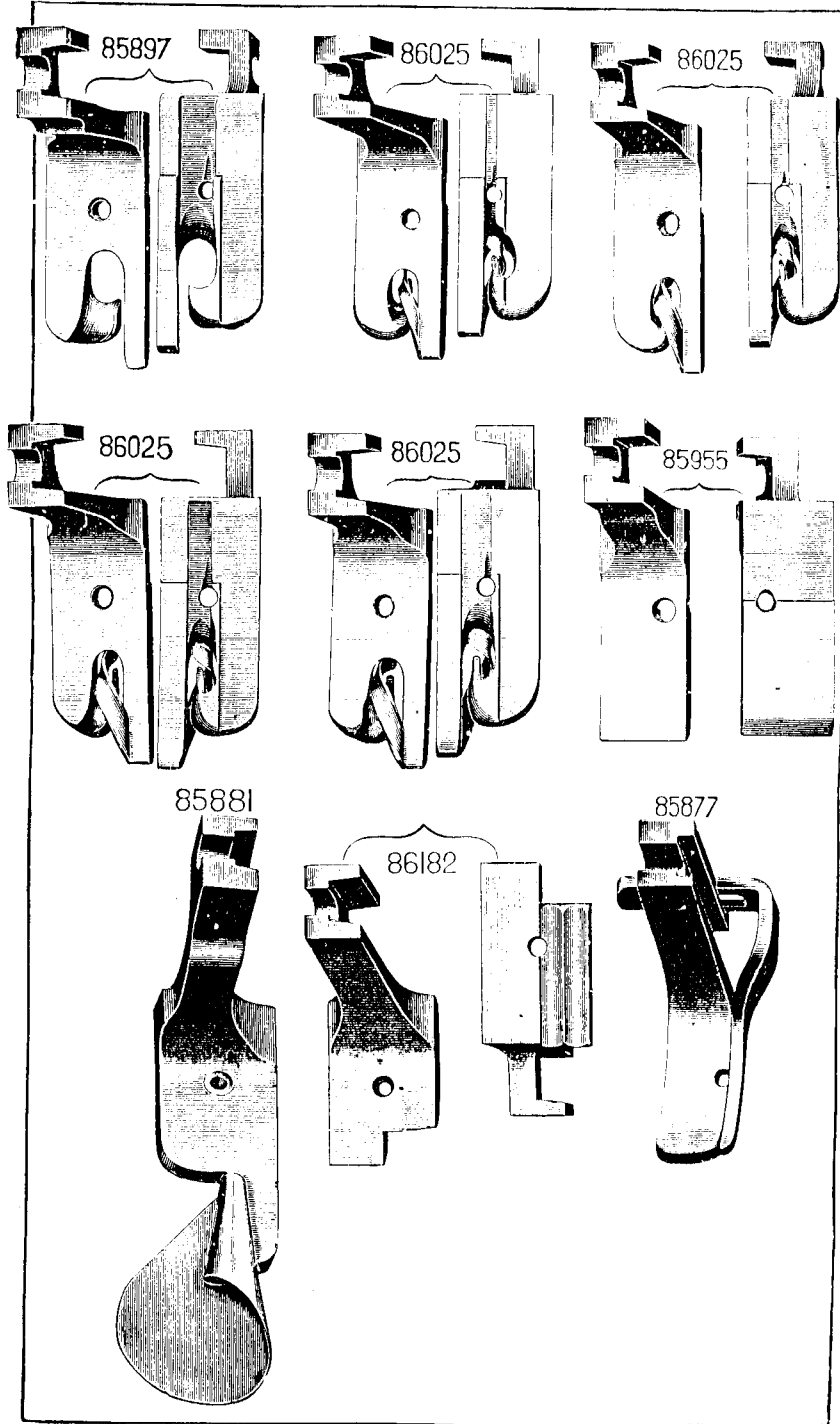


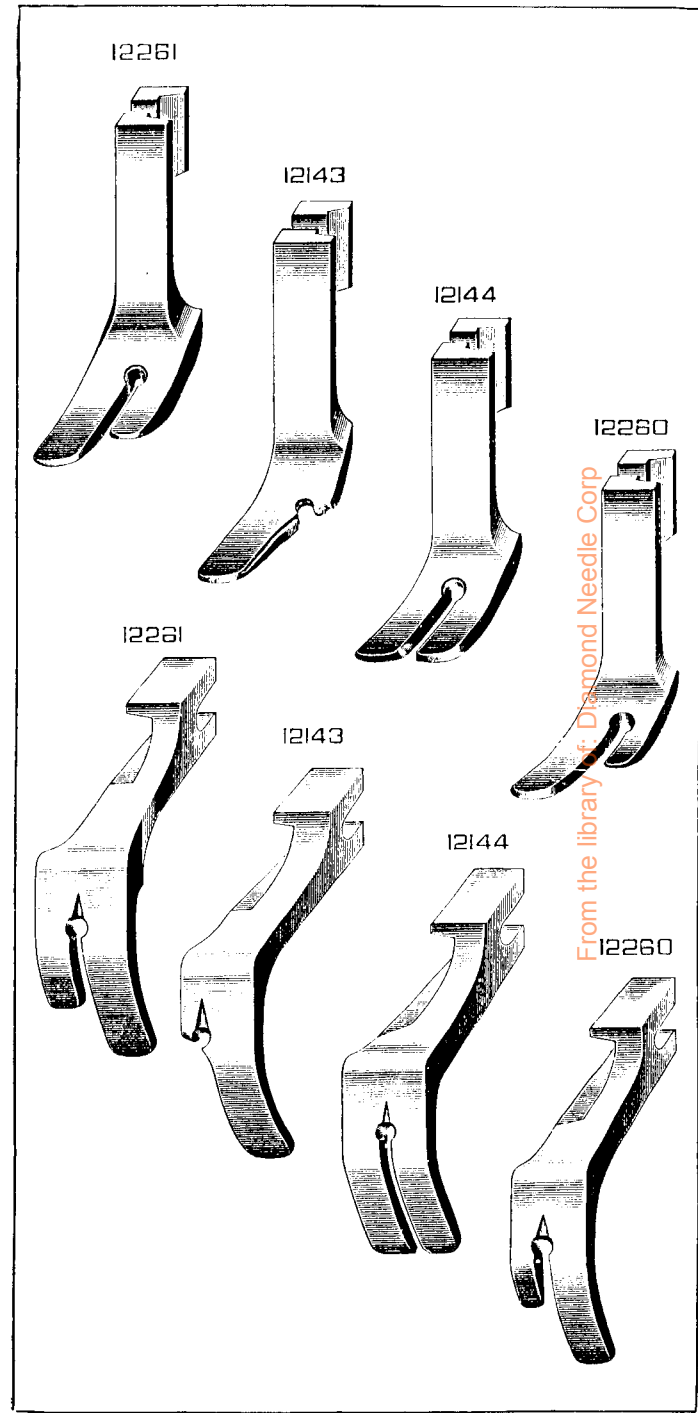
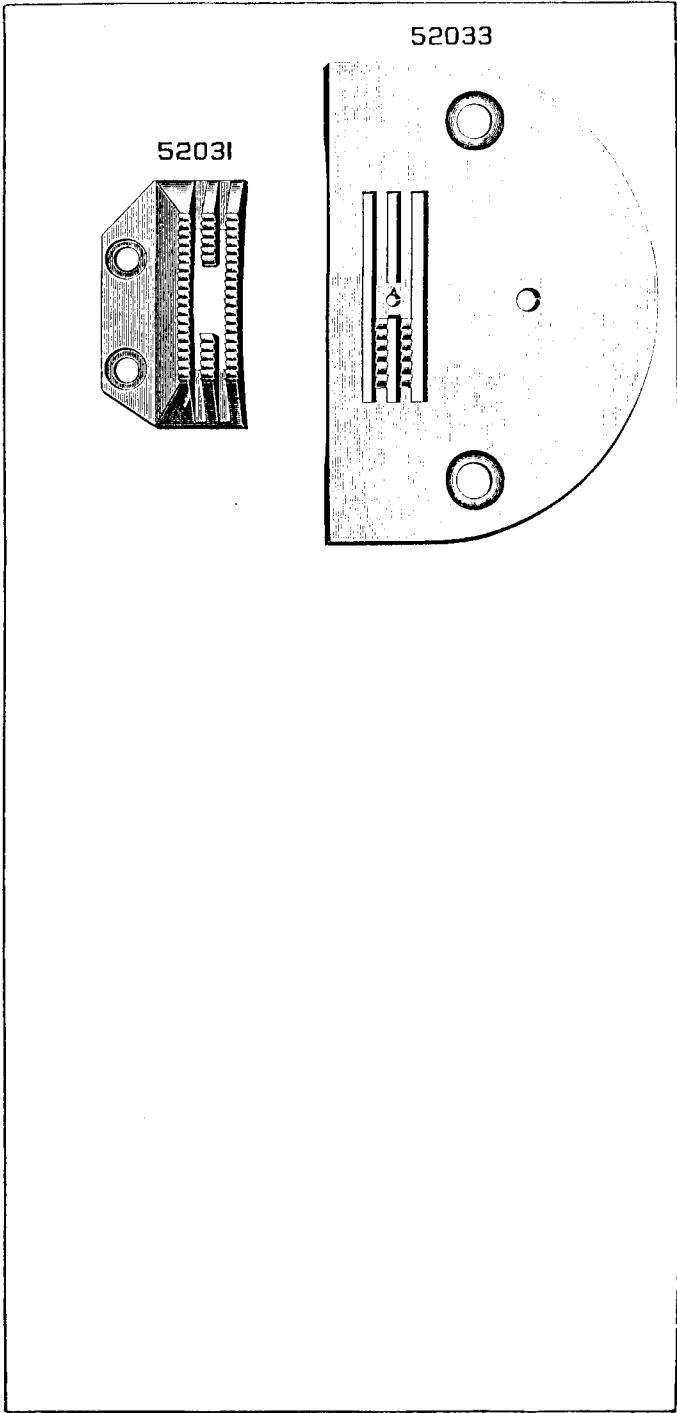
Image library of: Diamond Needle Corp.

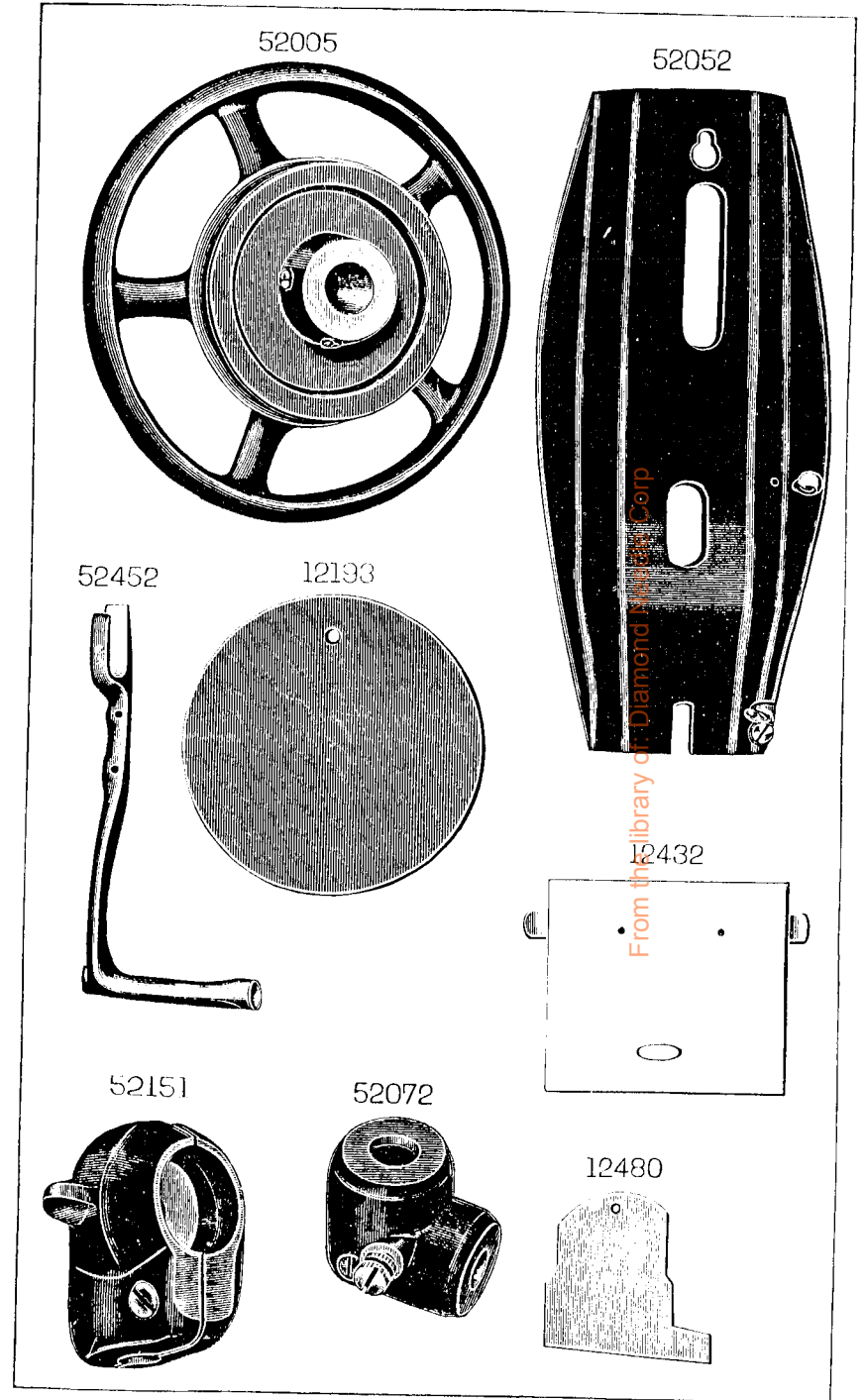
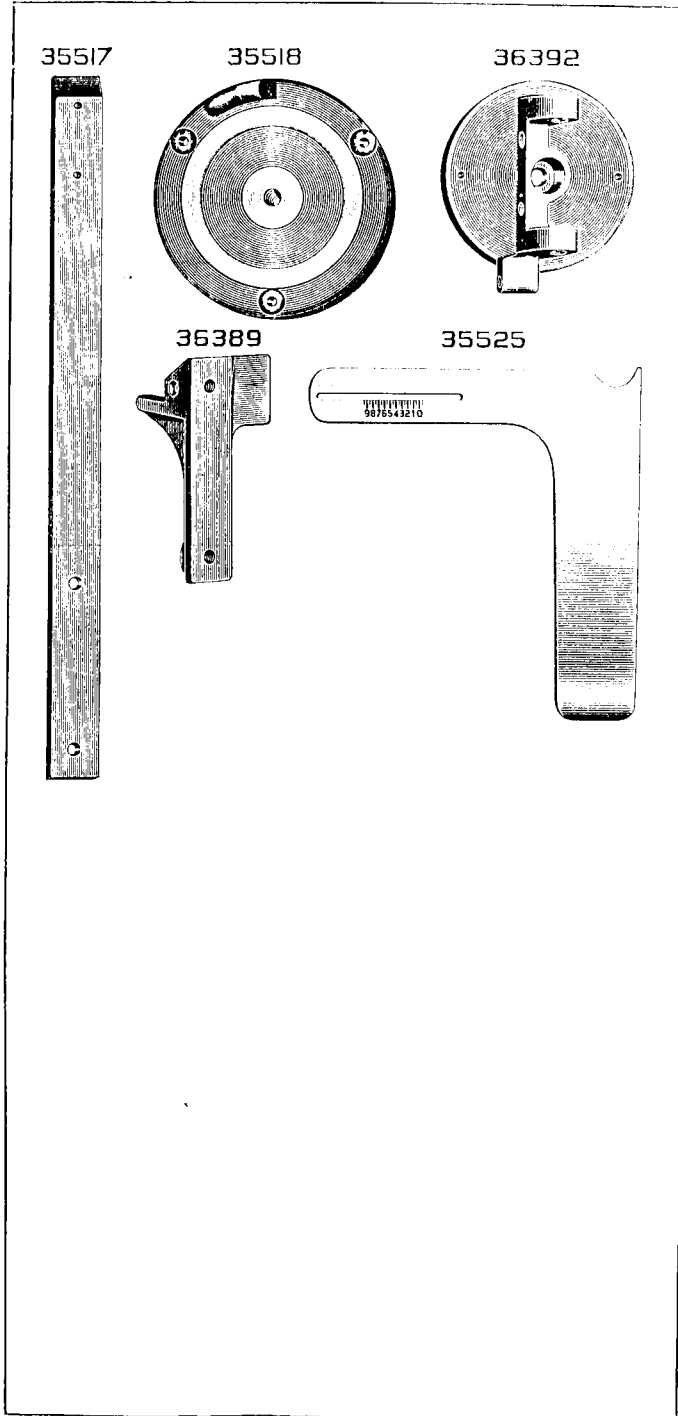


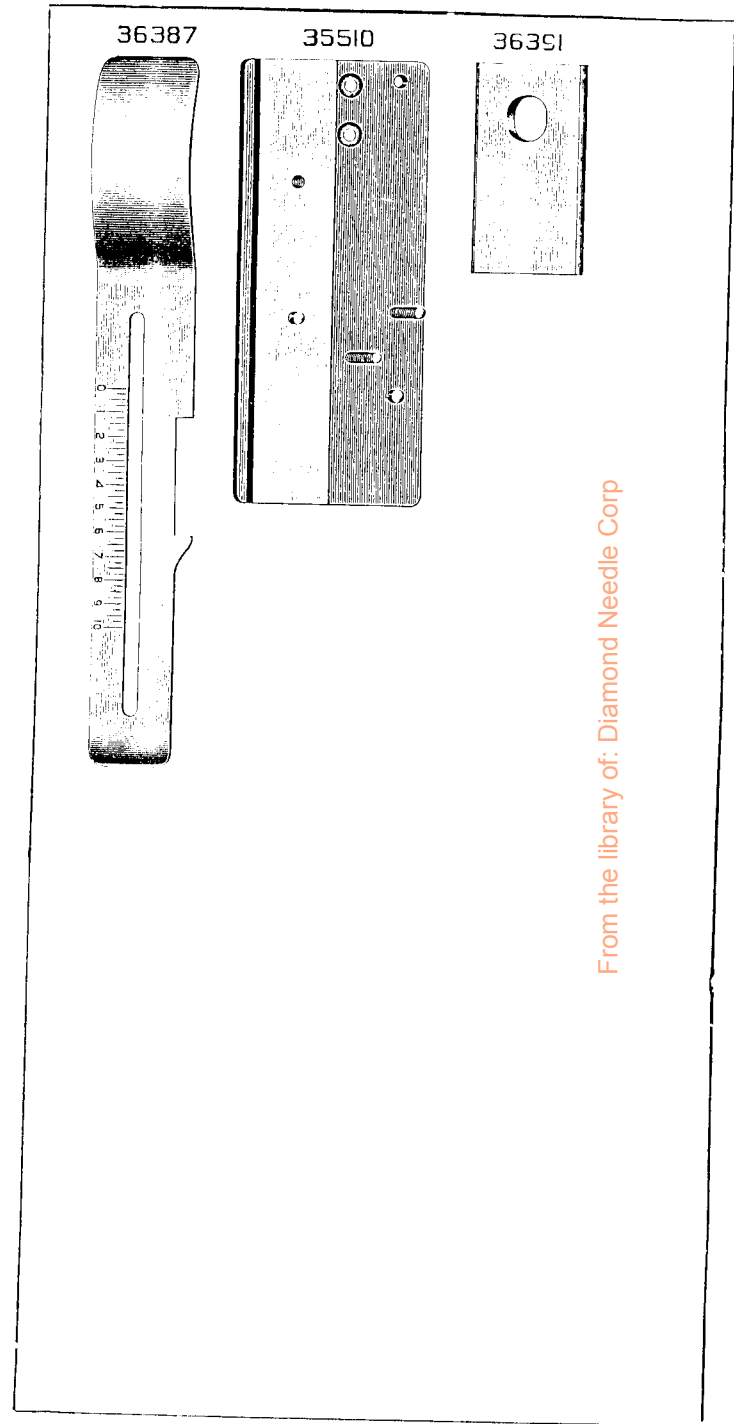
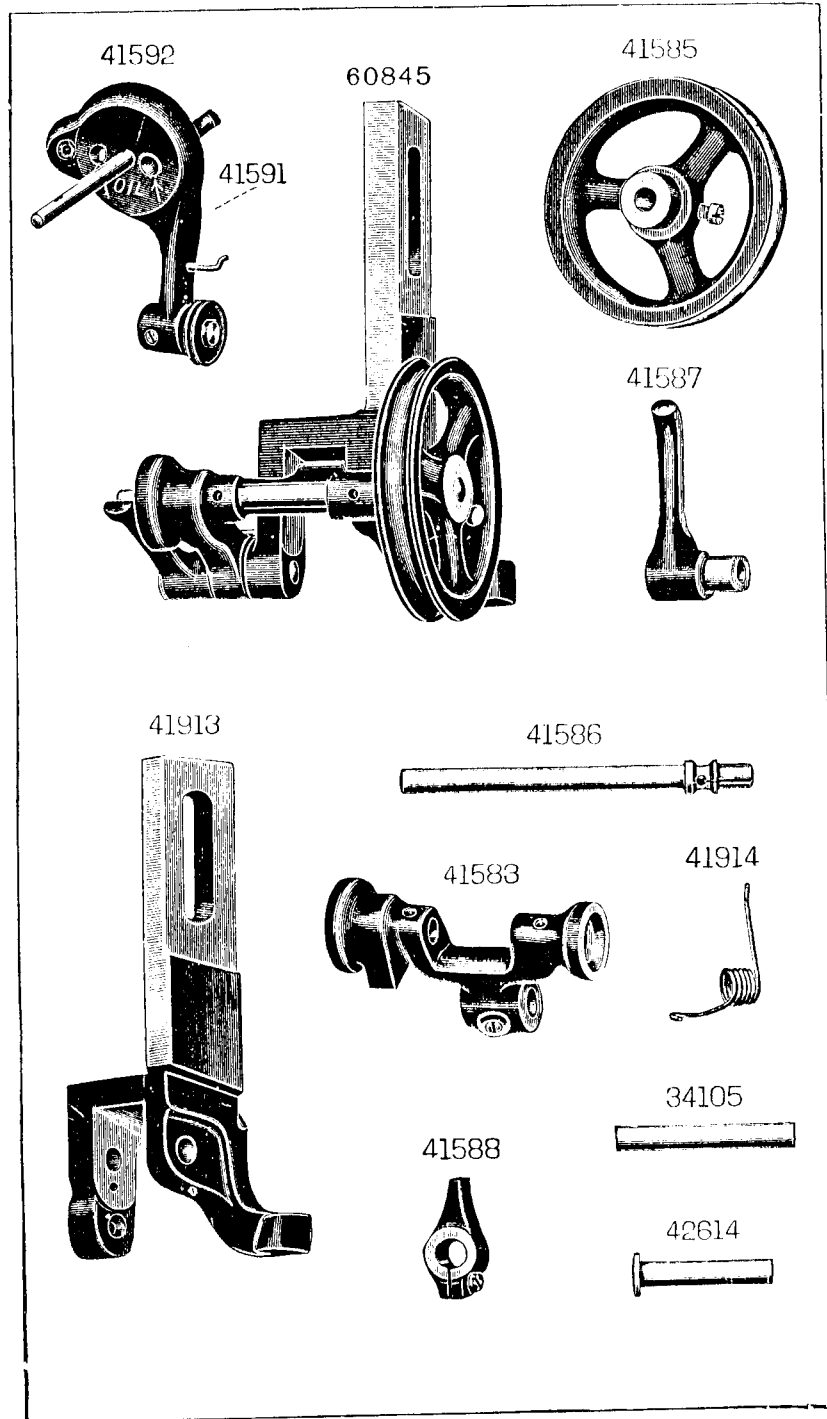
From the library of: Diamond Needle Co.



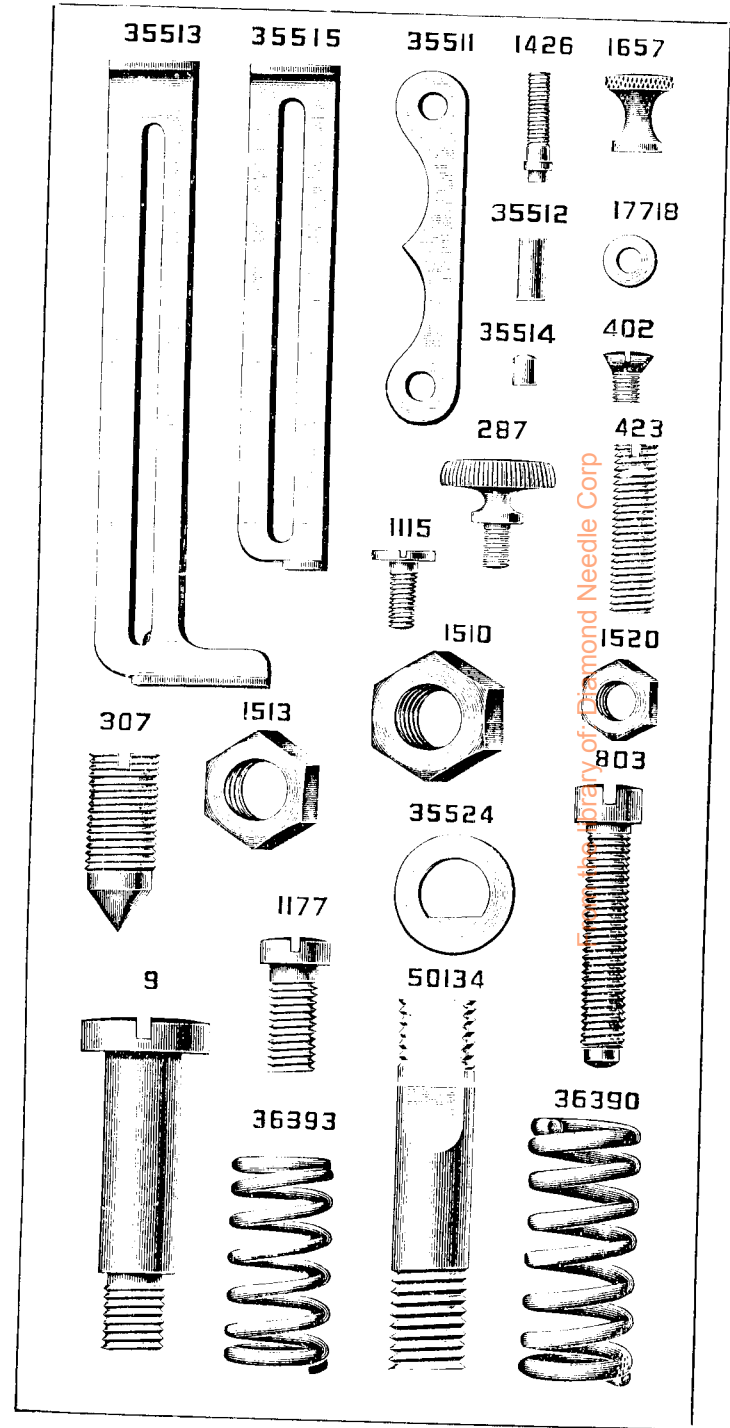
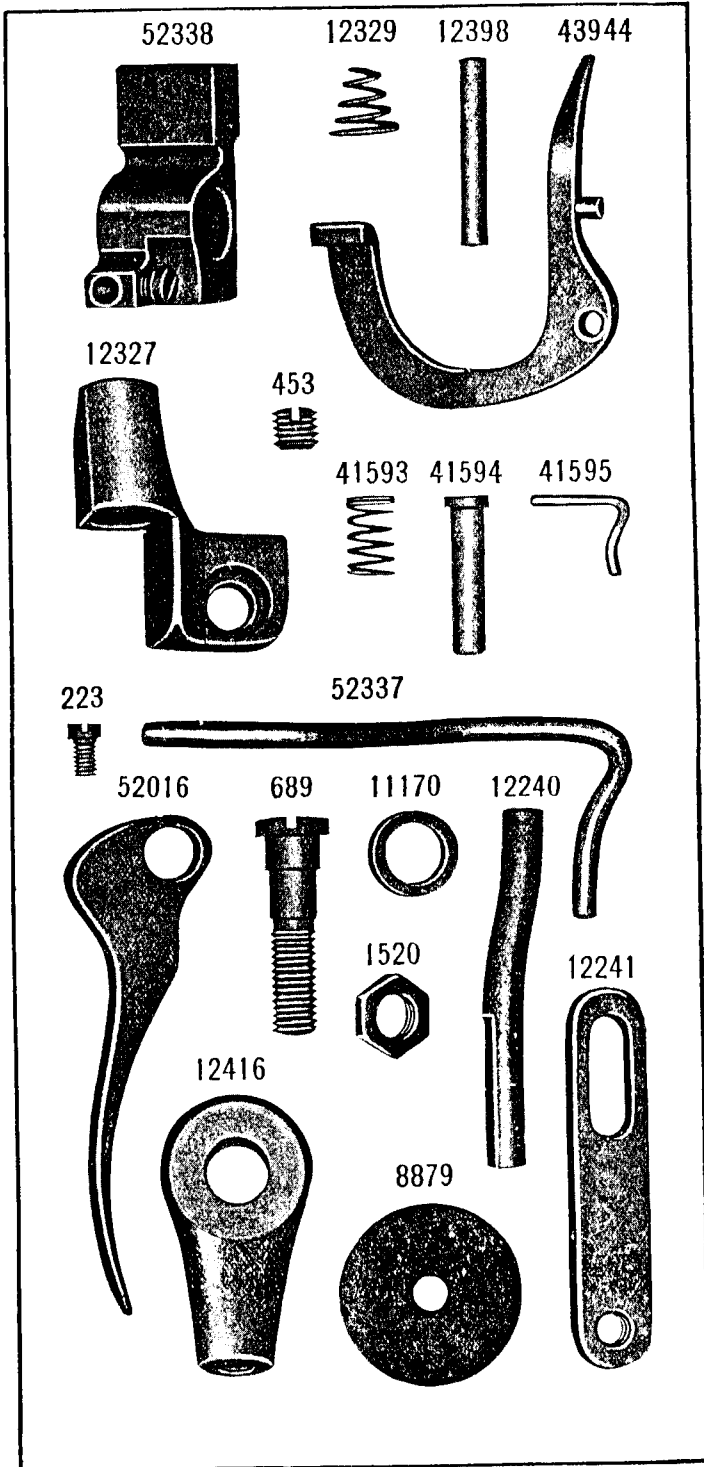
From the library of: Diamond Needle Corp



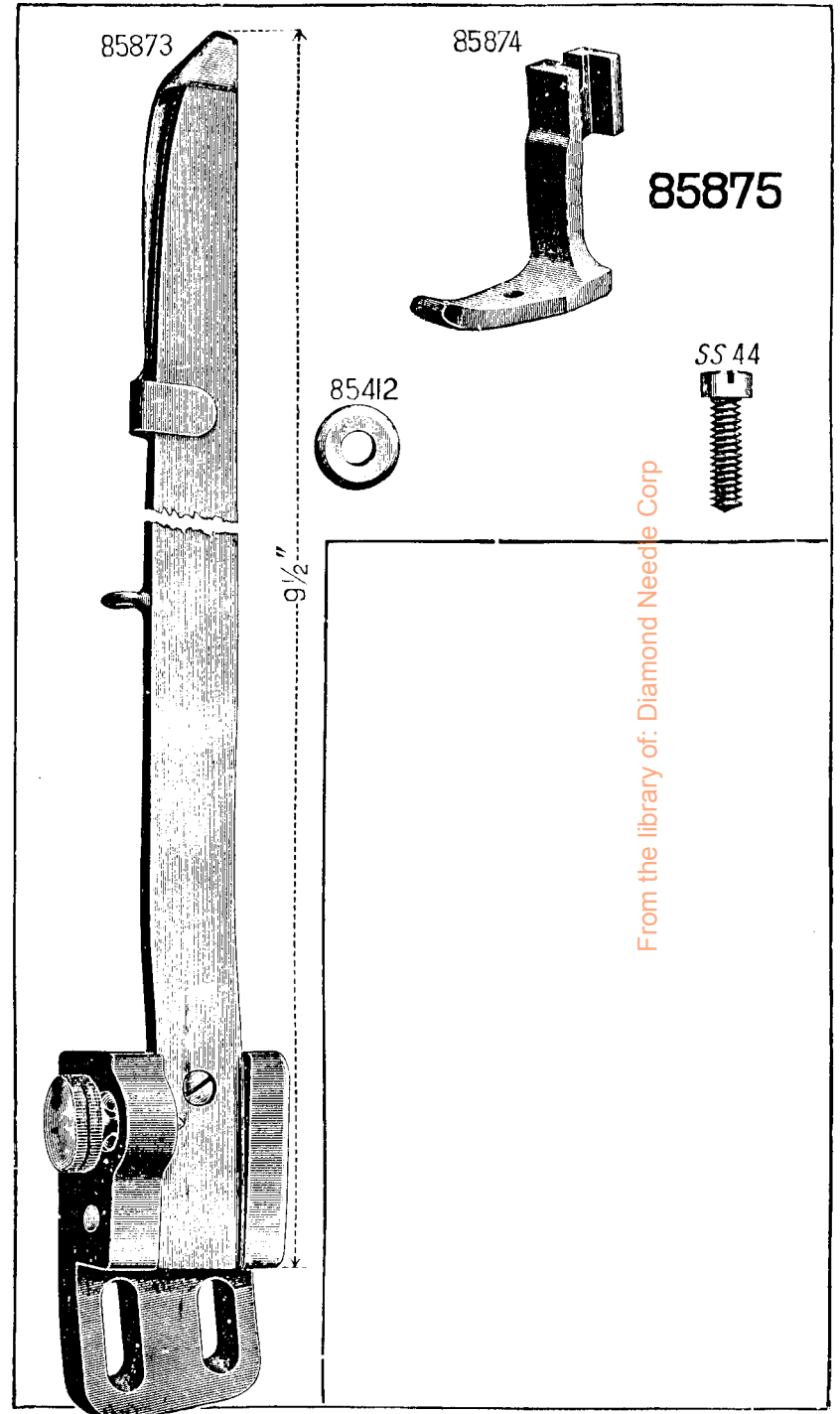
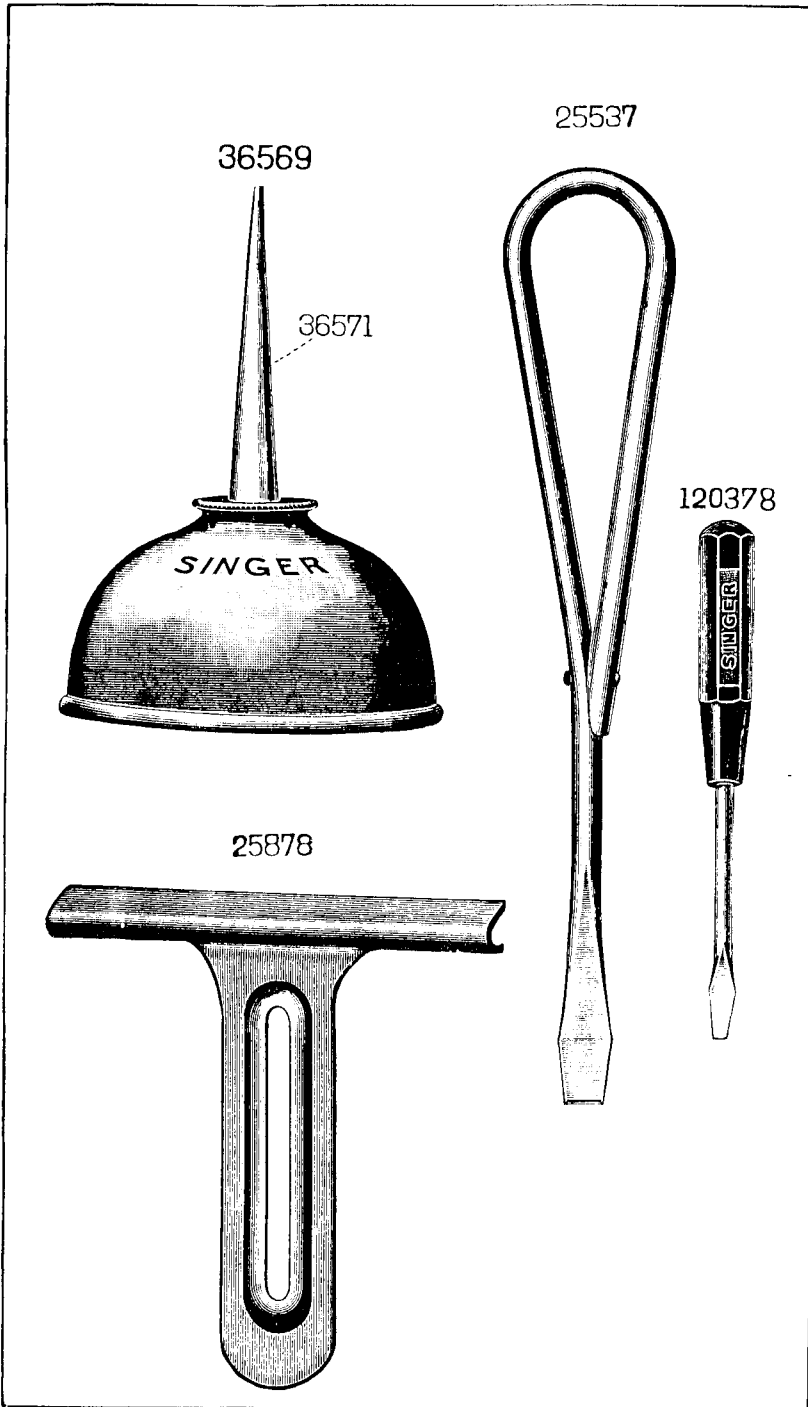


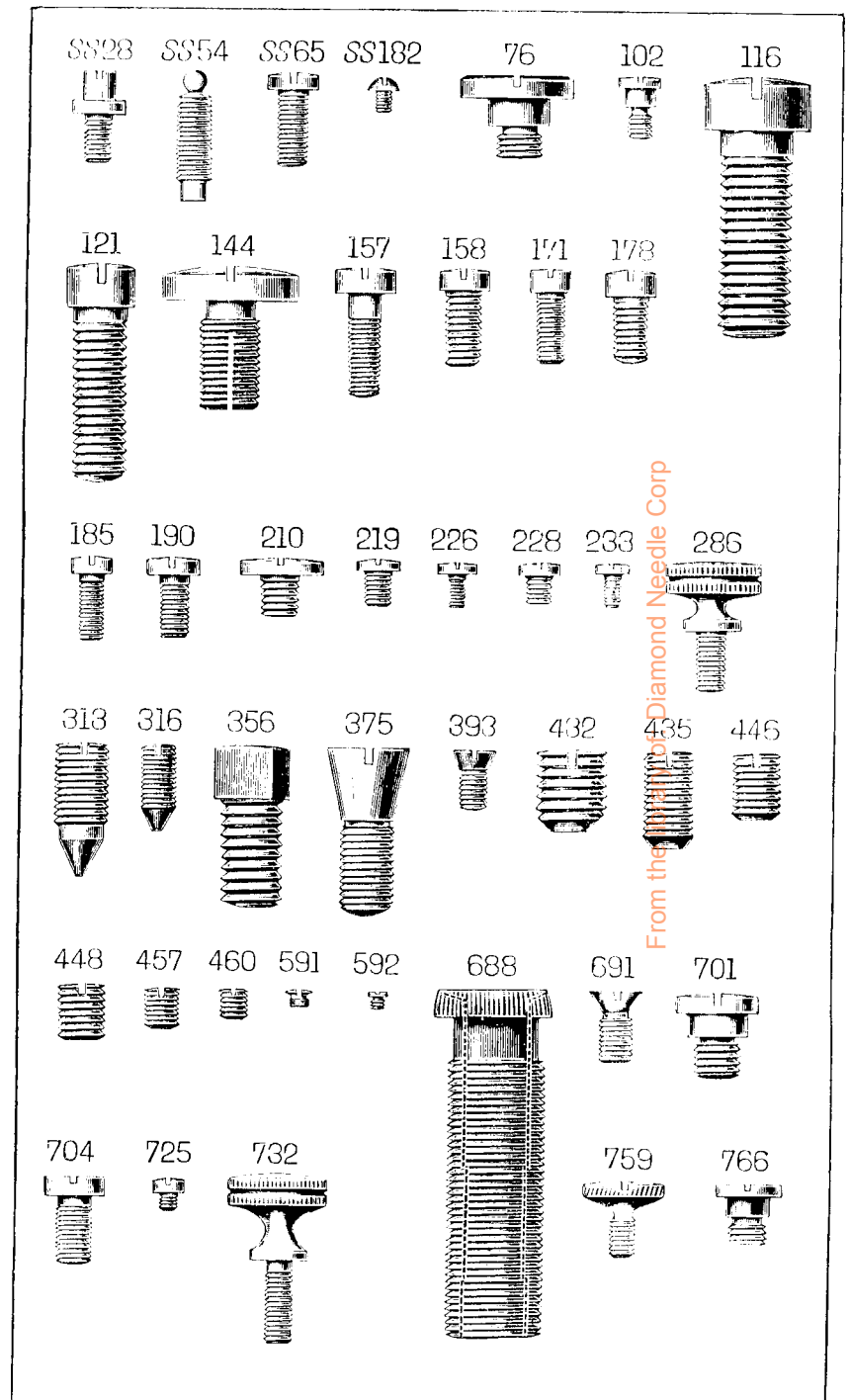
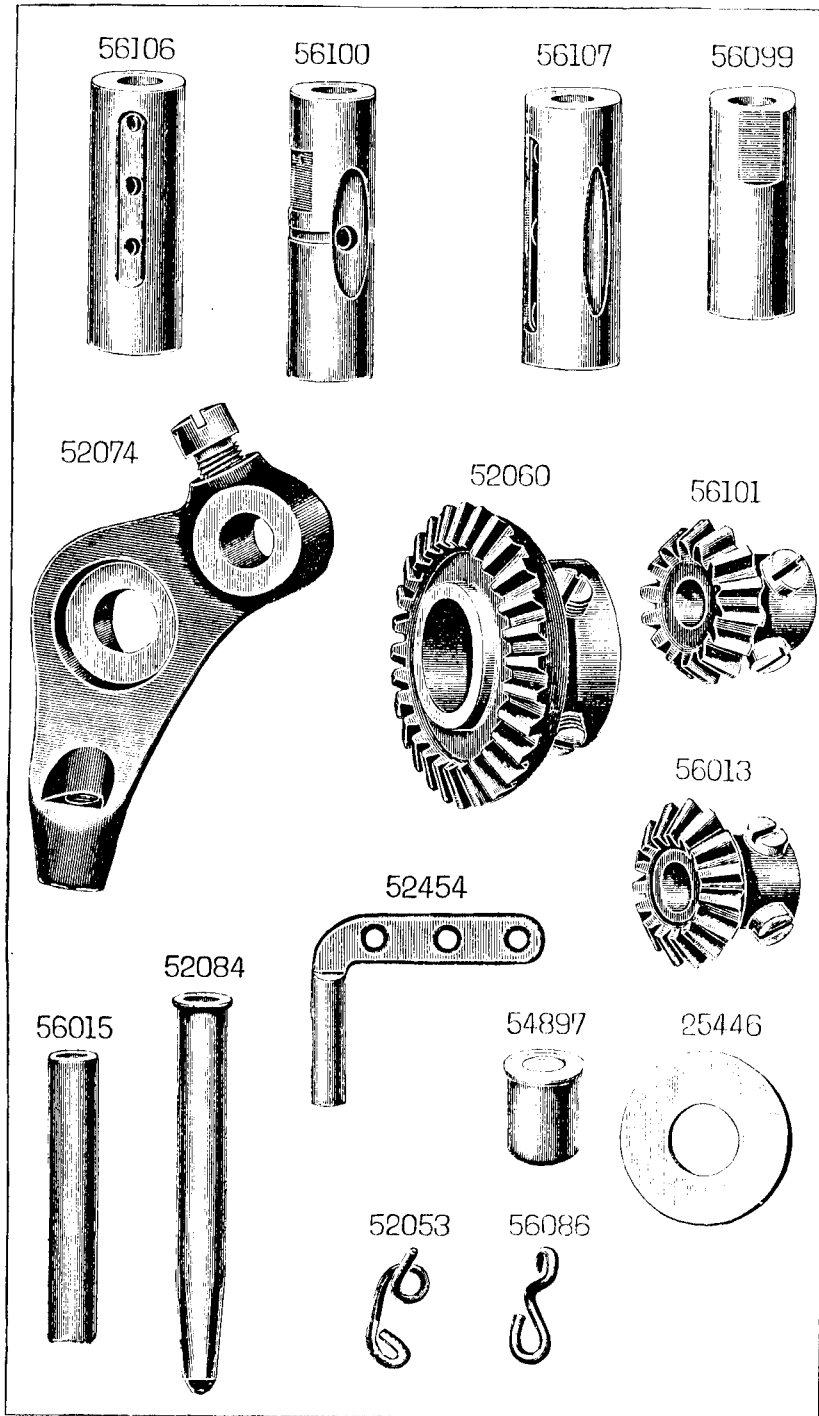


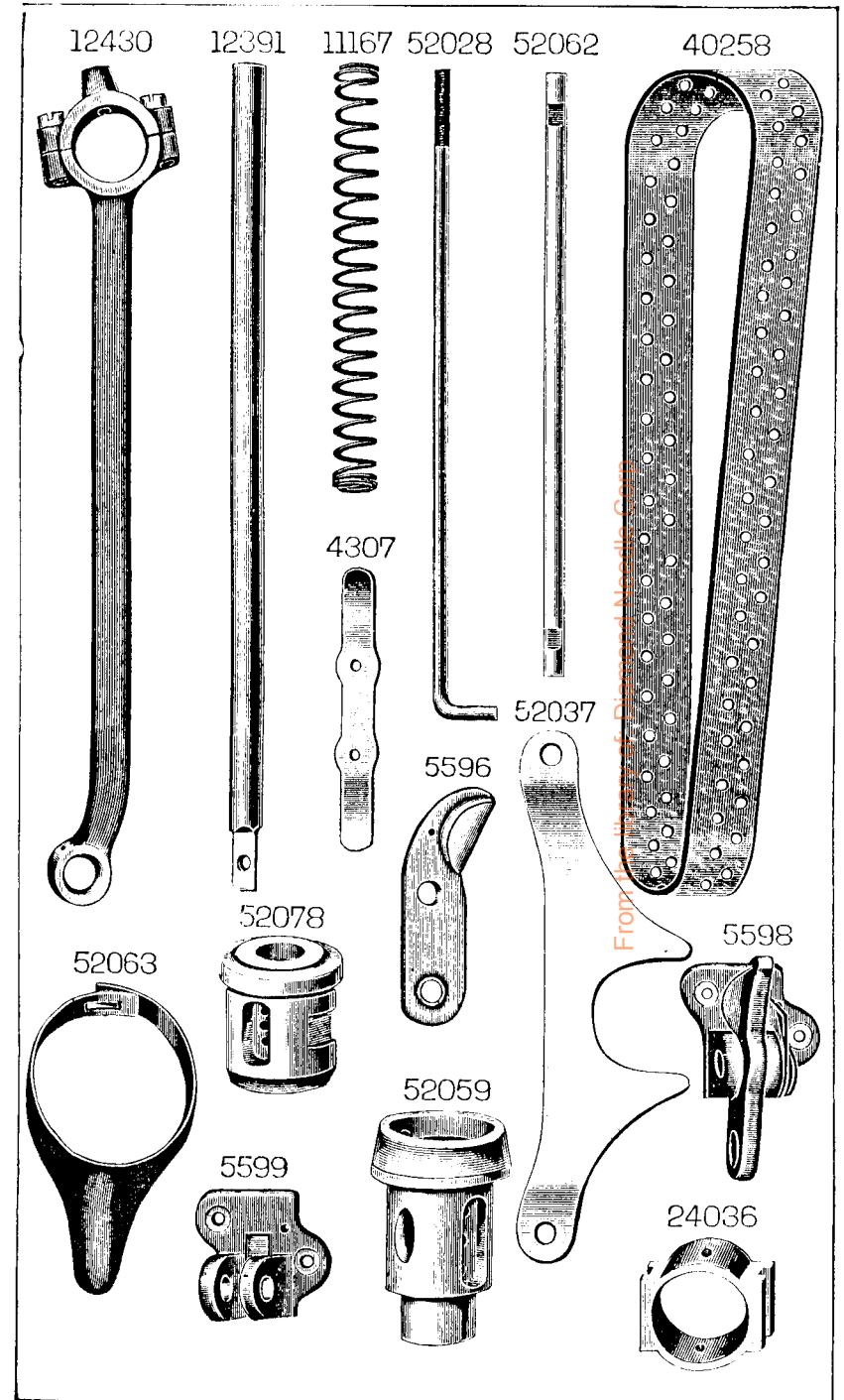
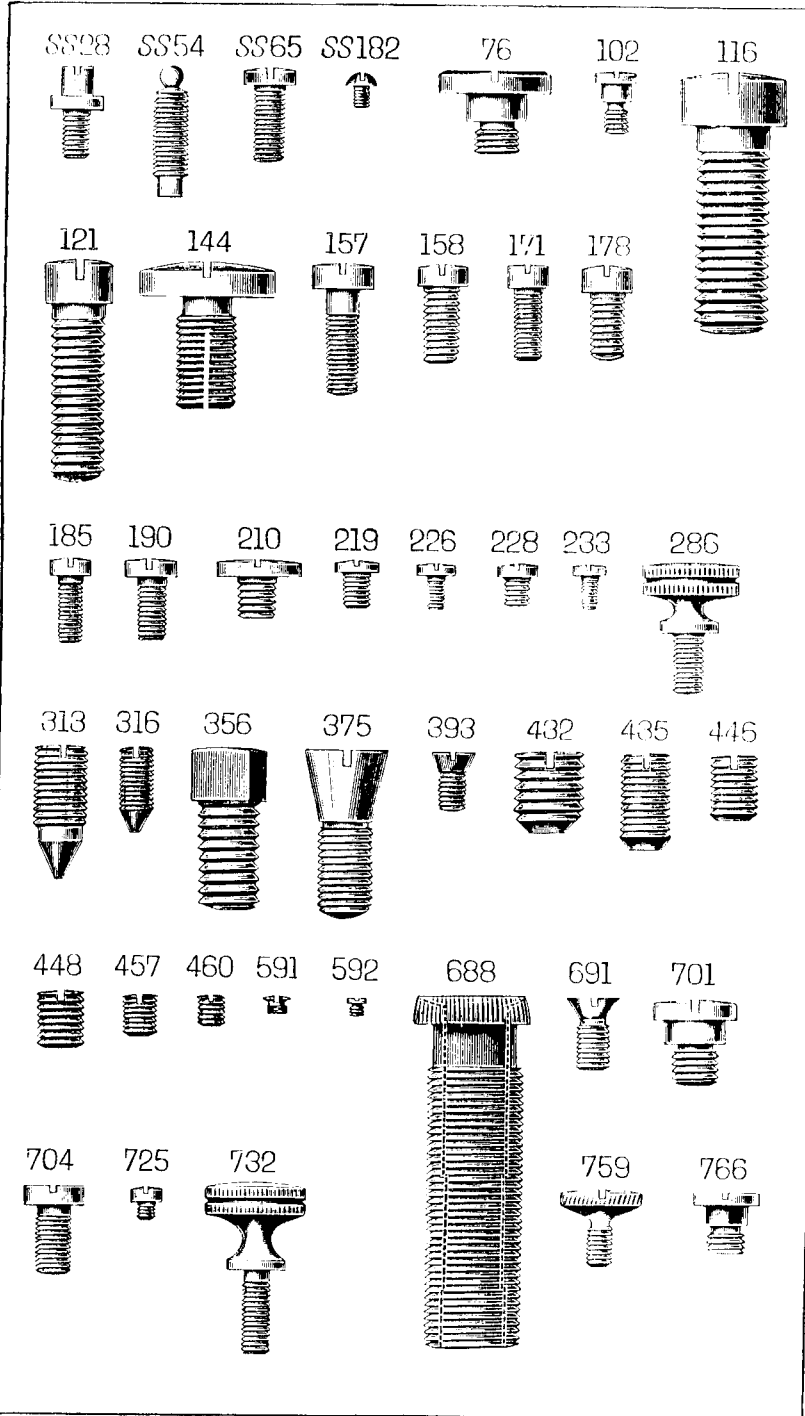
From the library of: Diamond Needle Corp

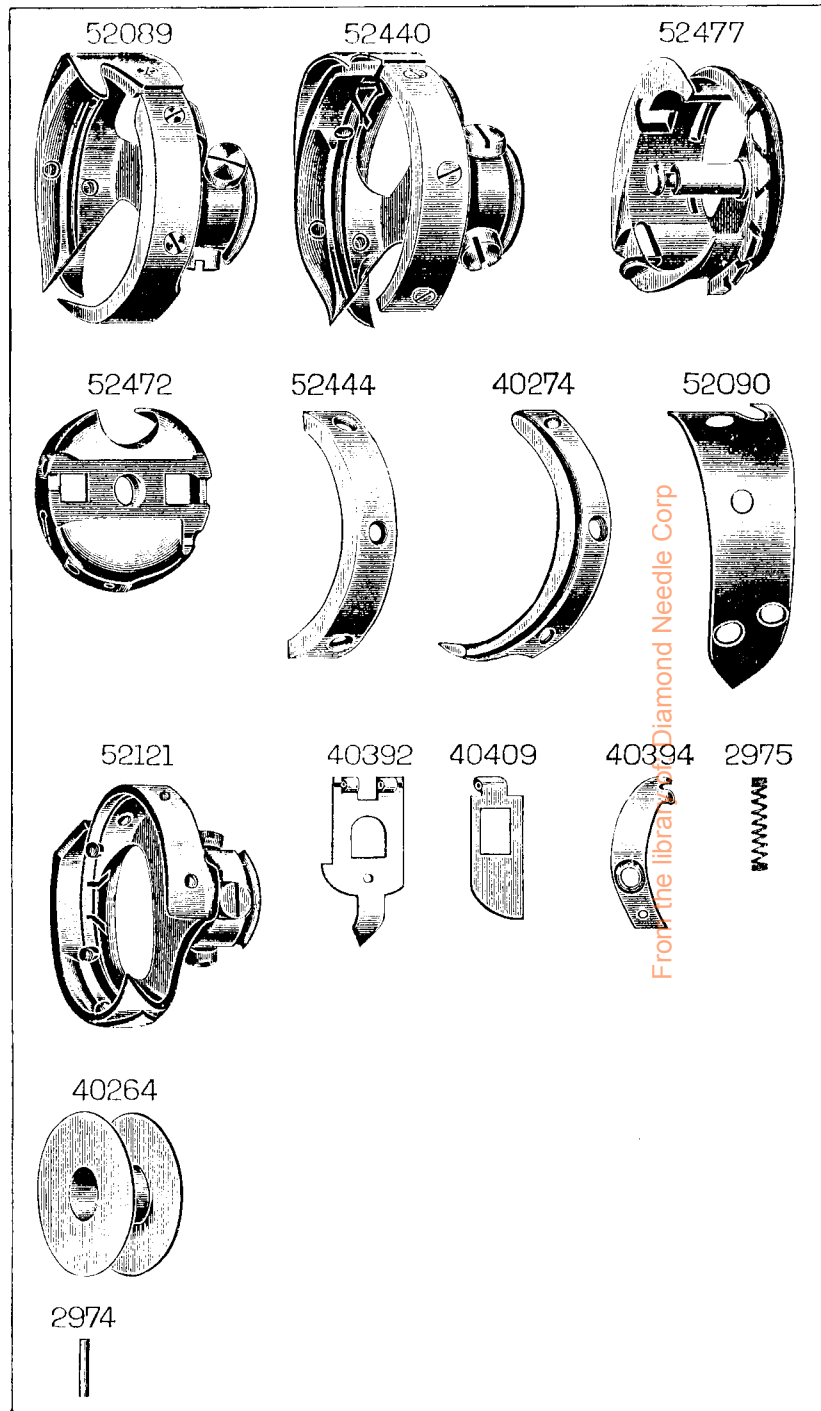
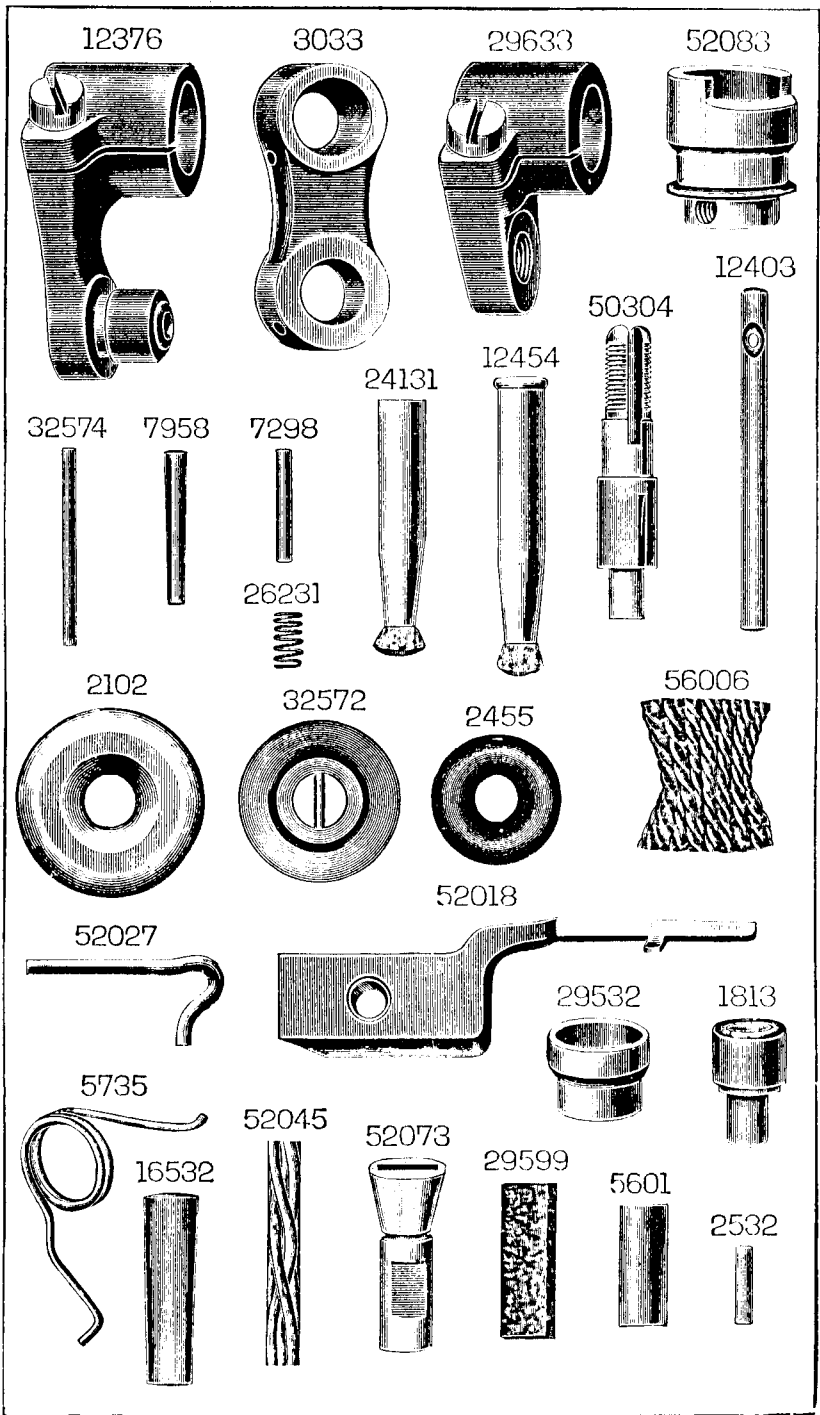


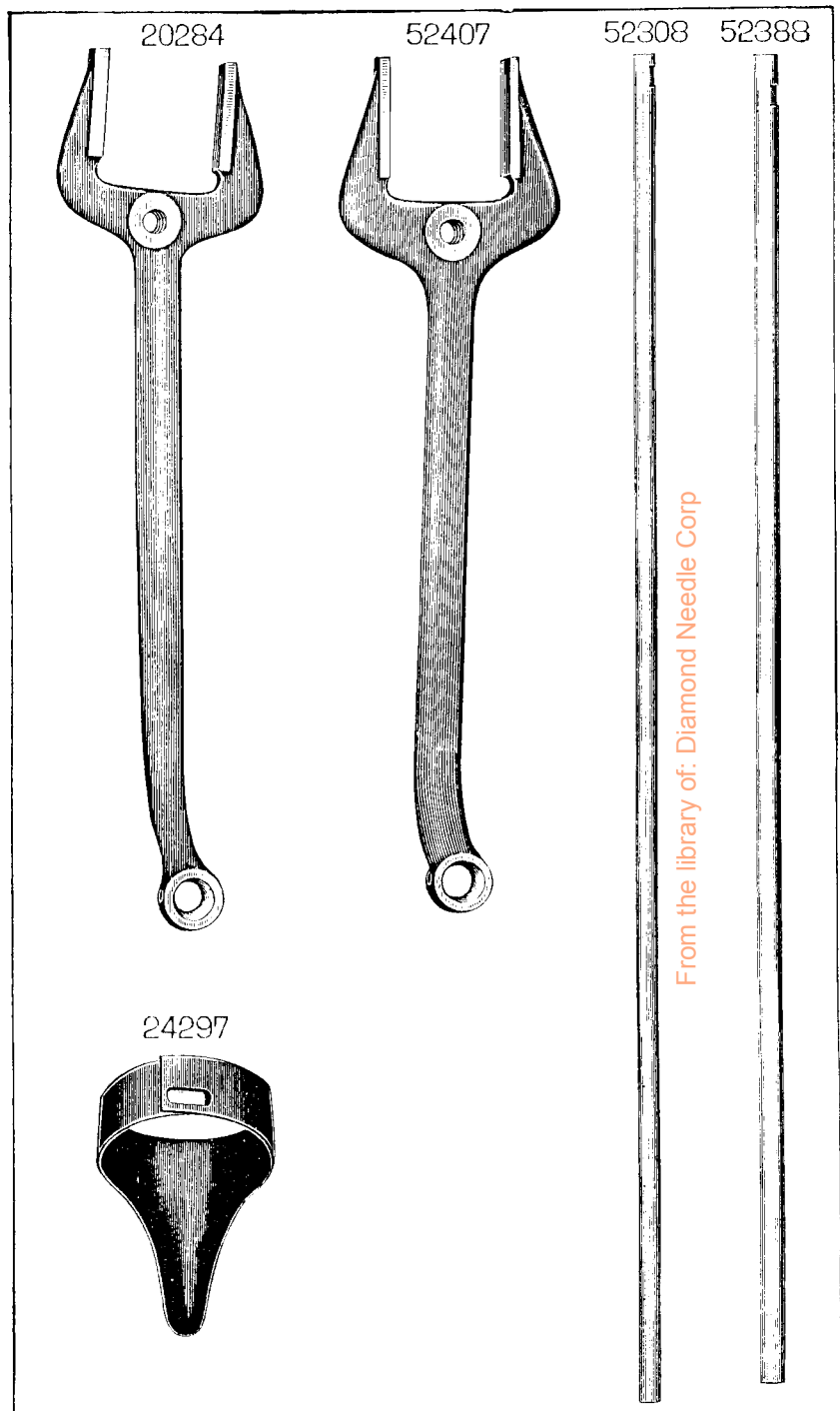
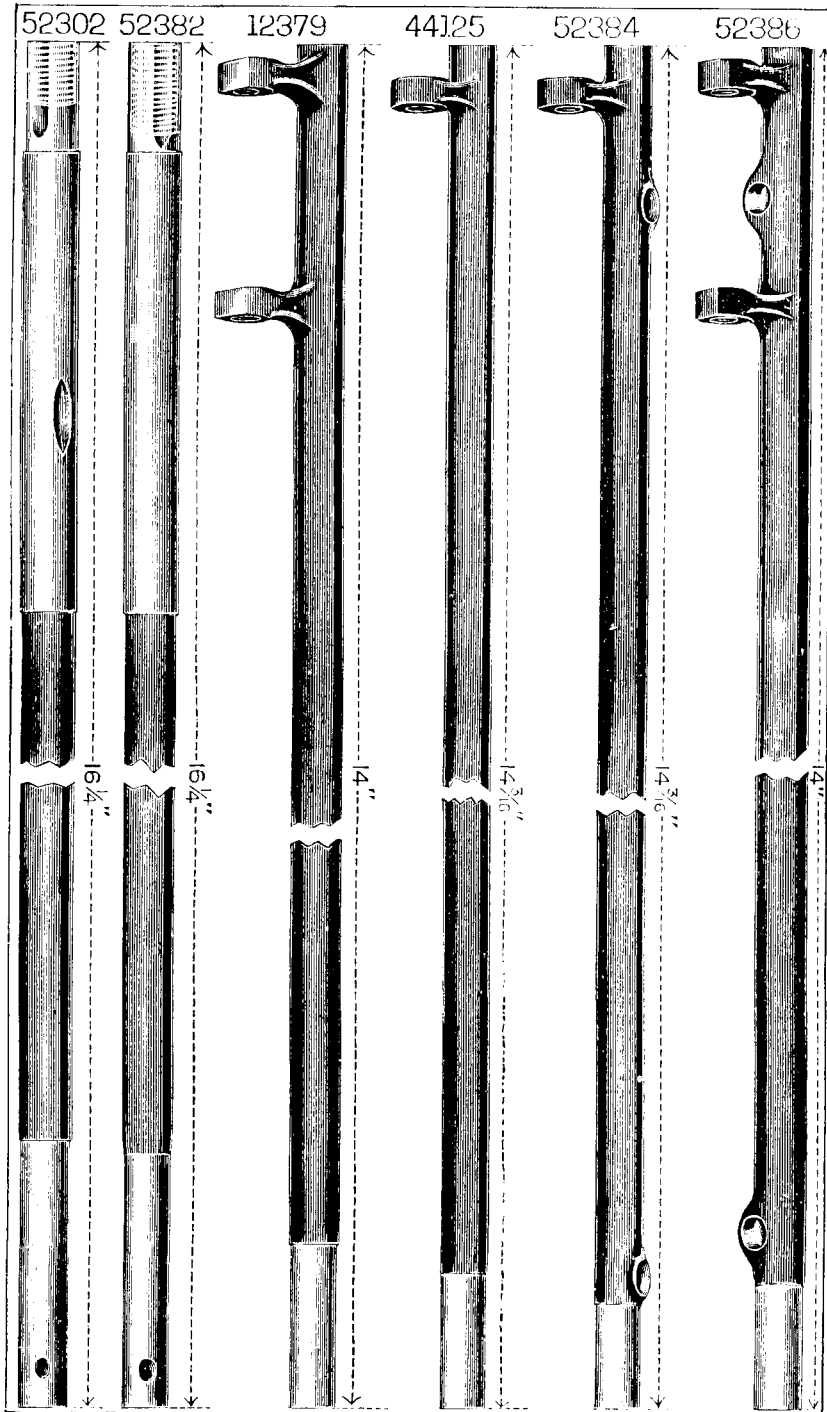
Property of Diamond Needle Corp



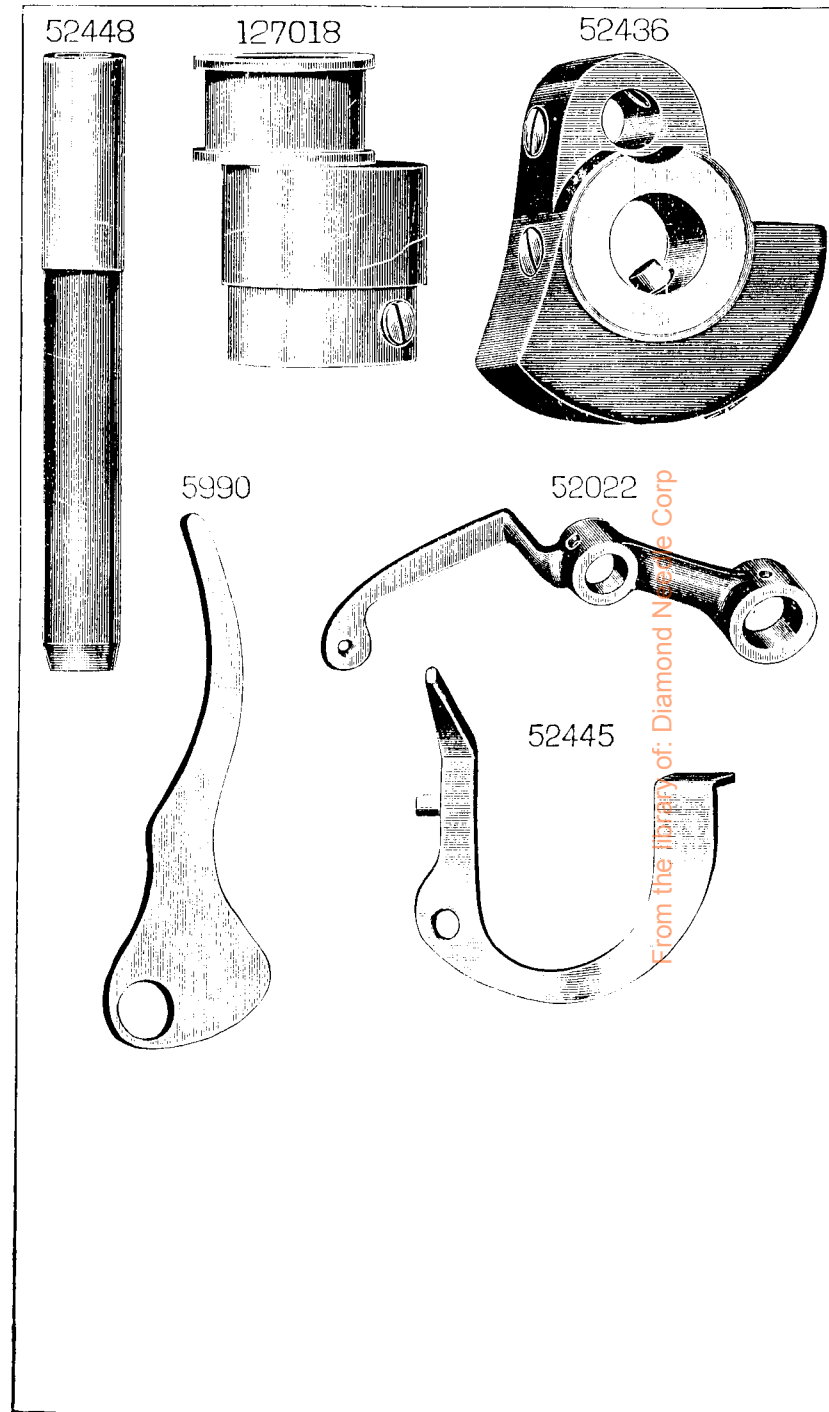
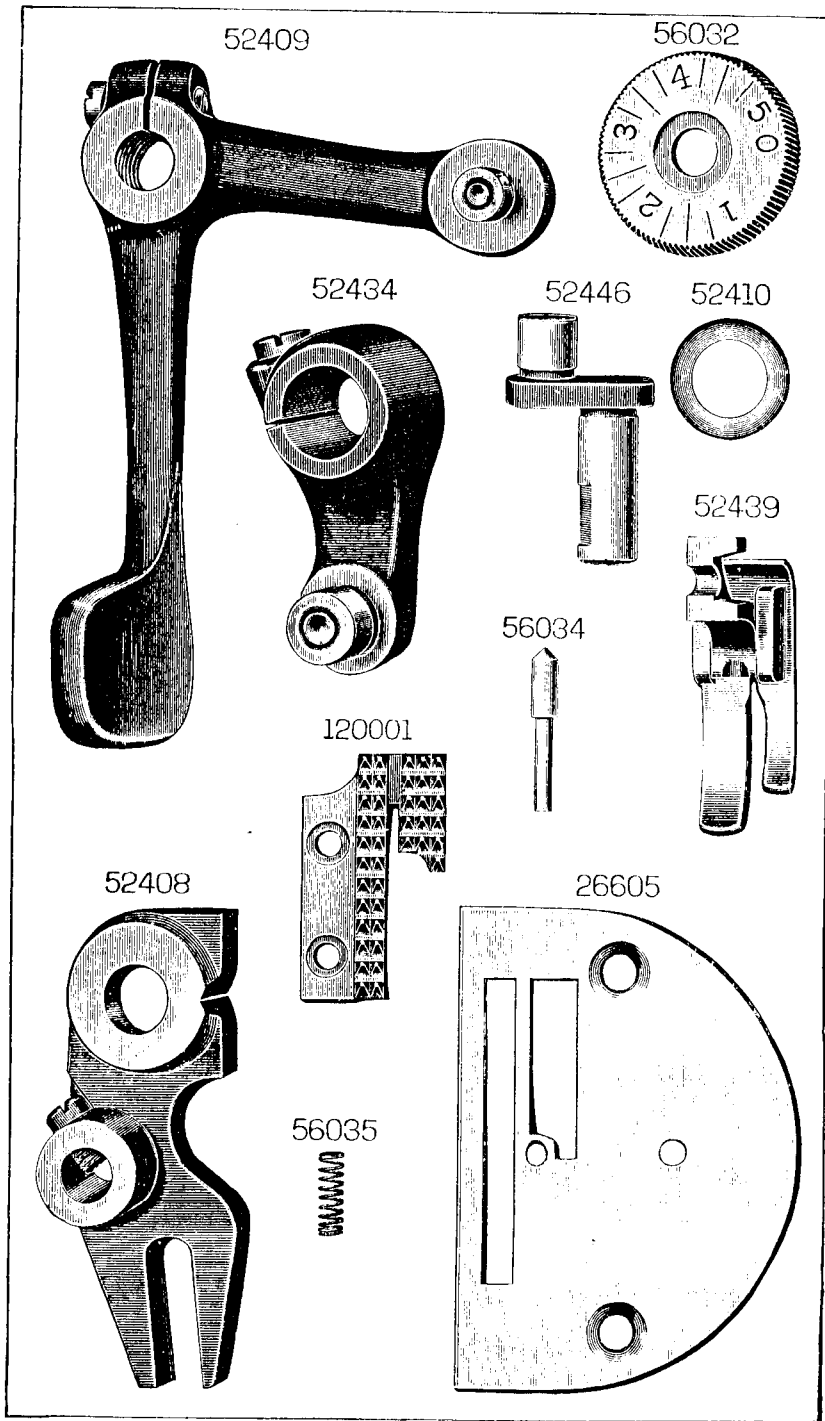




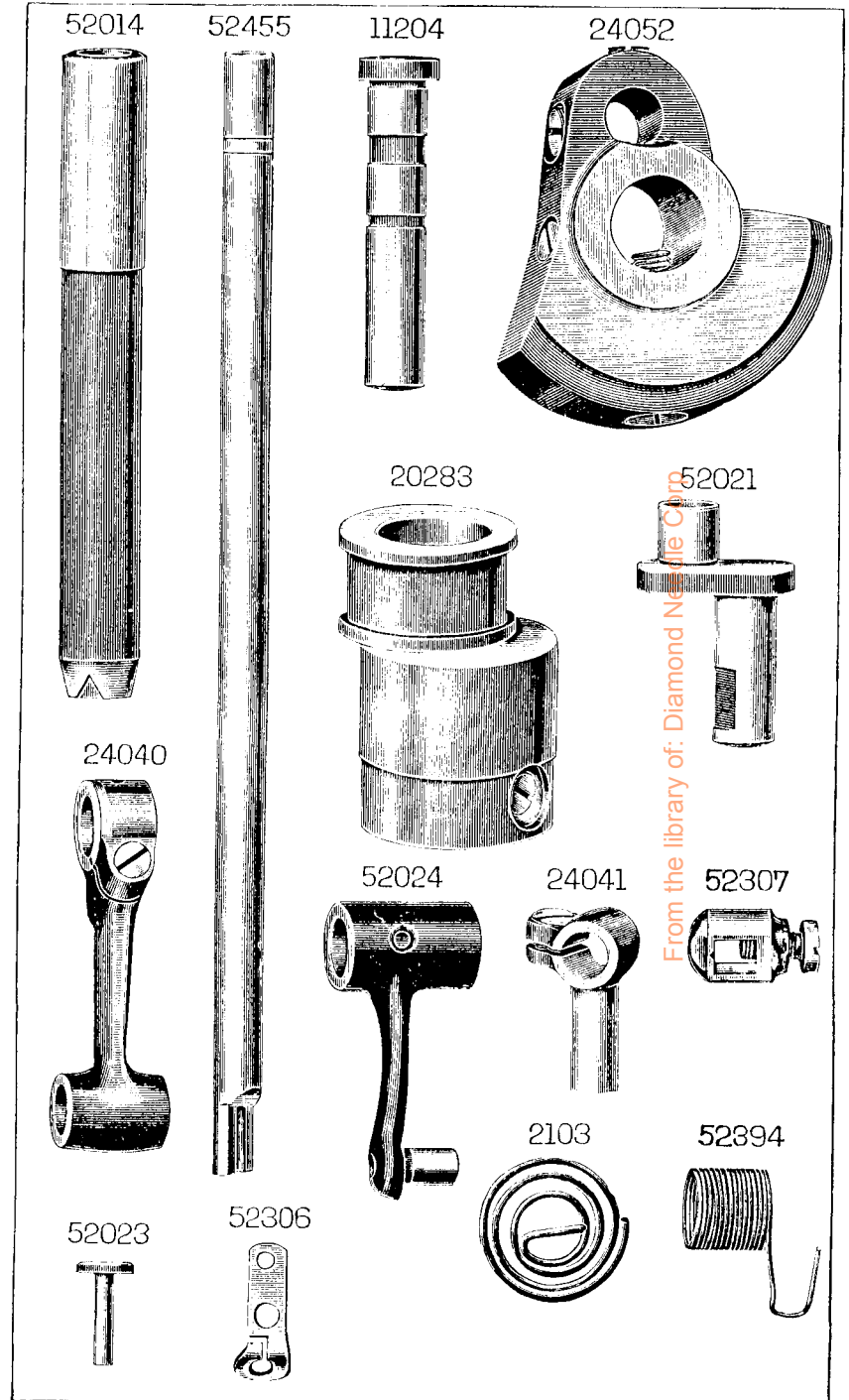
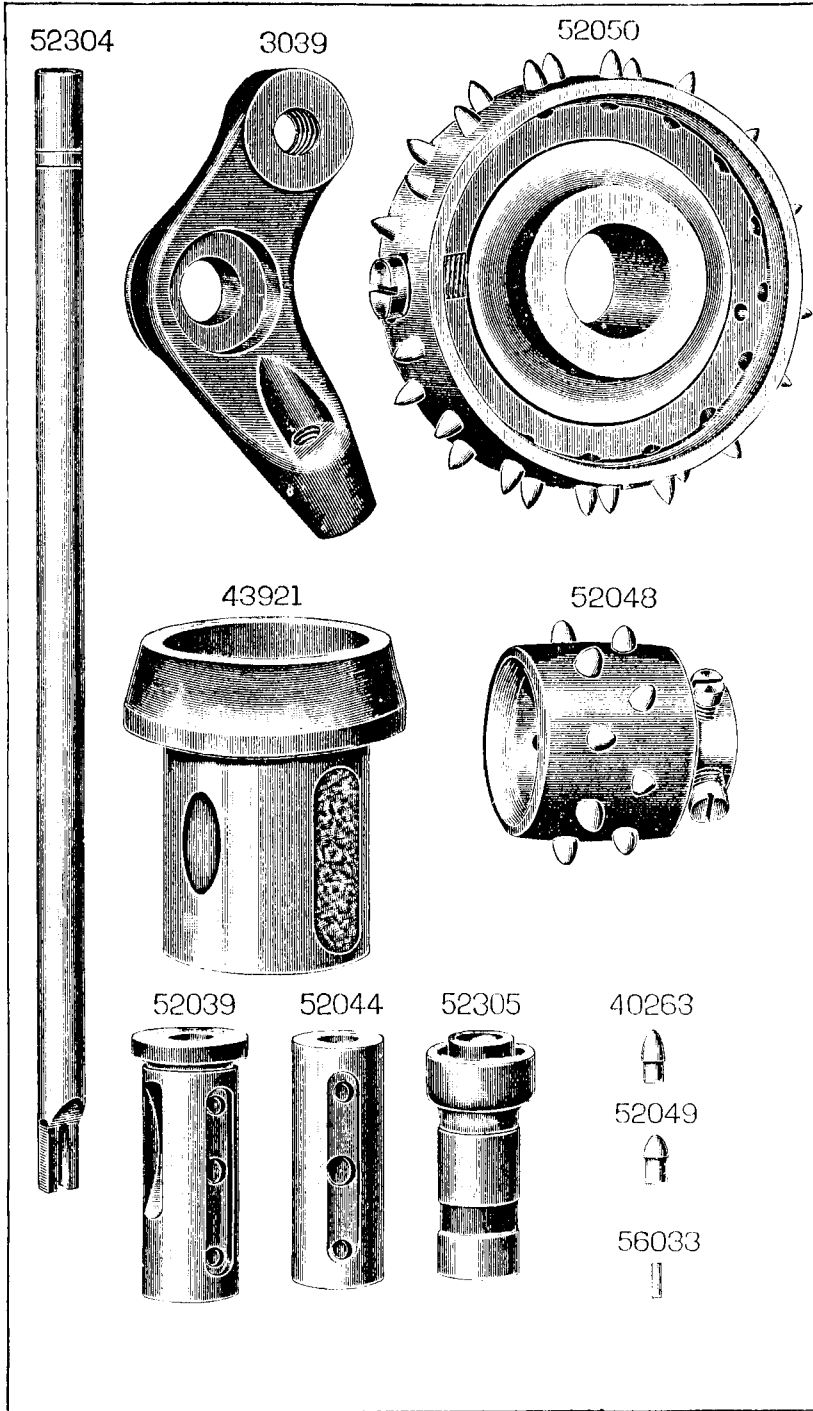




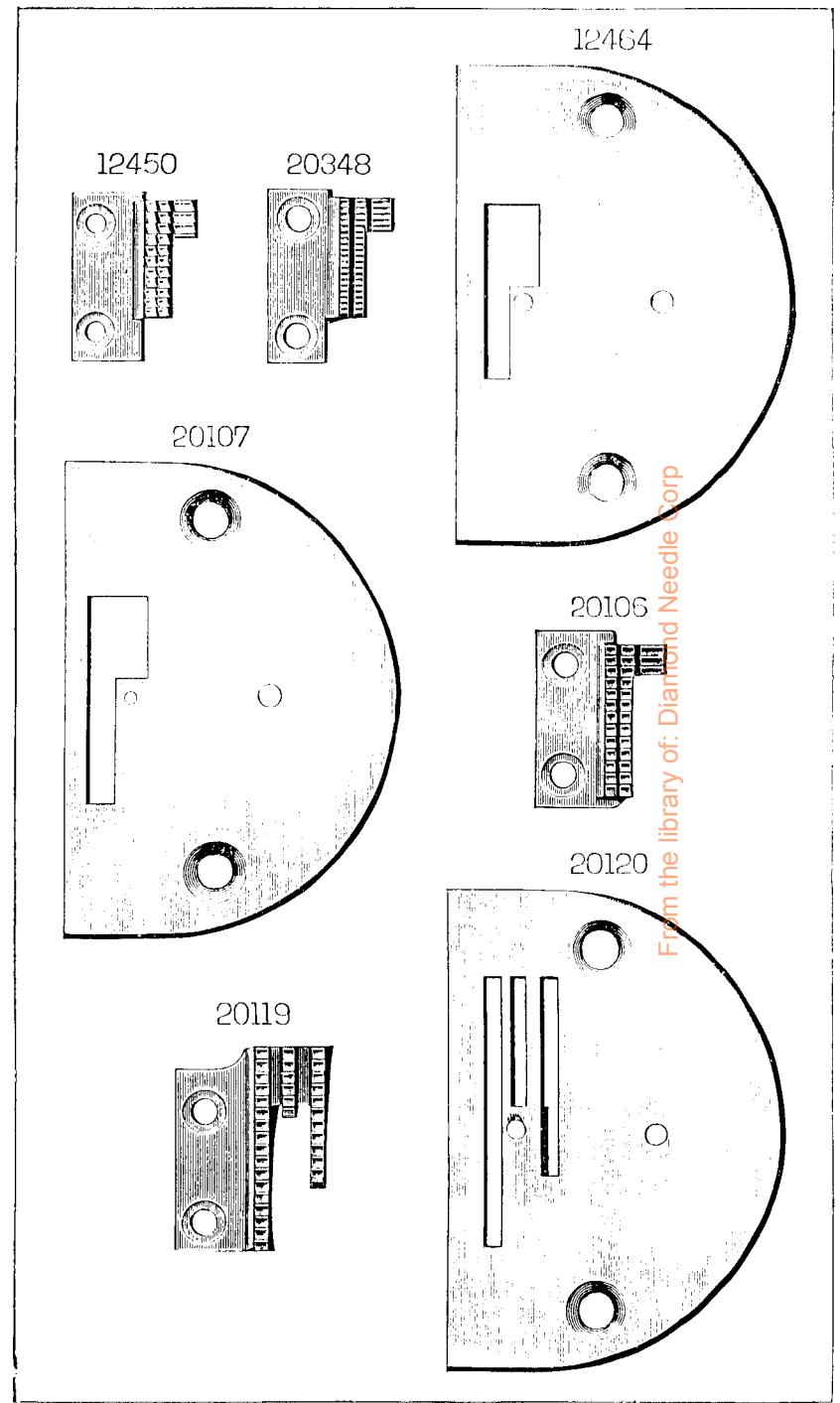
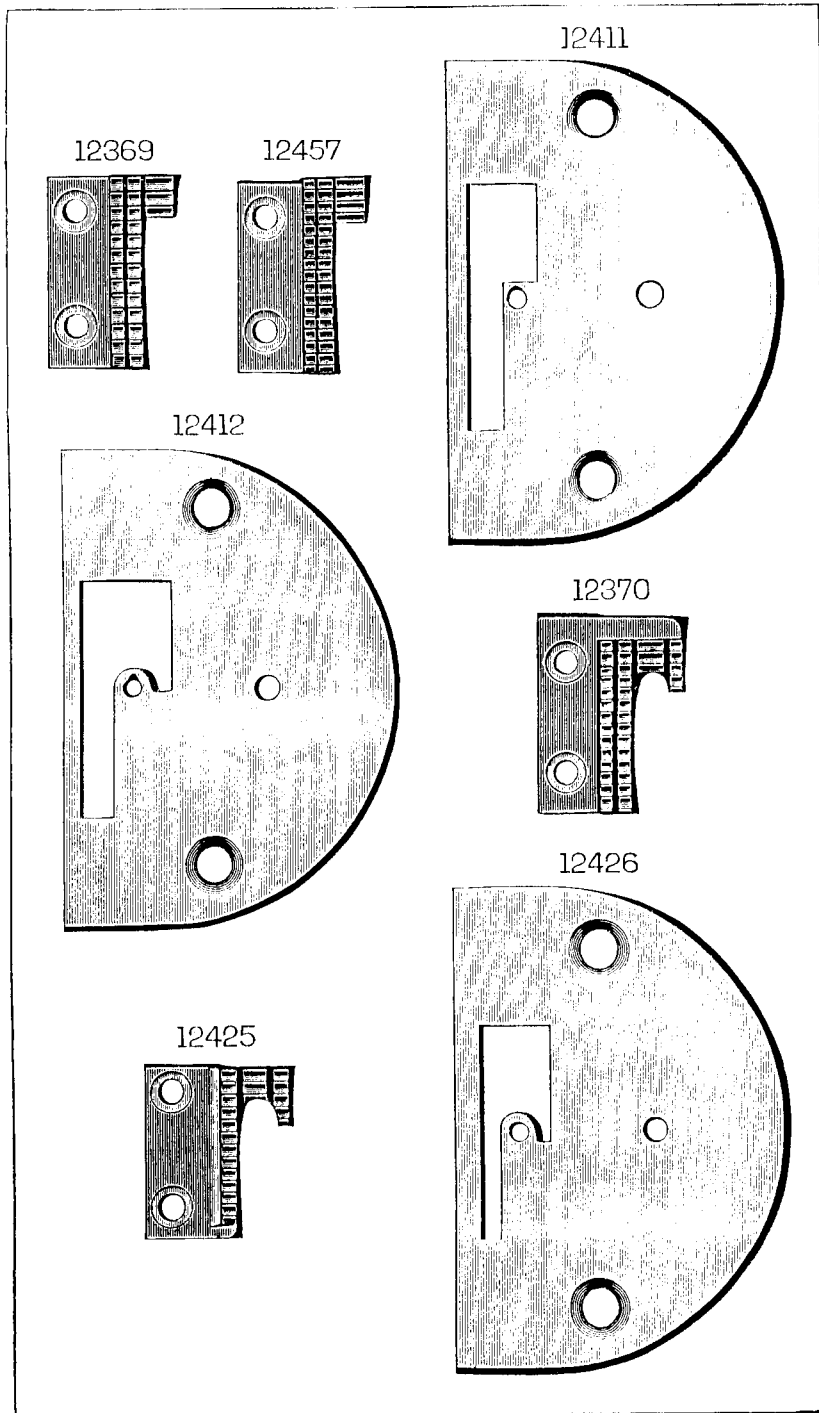
From the library of: Diamond Needle Corp



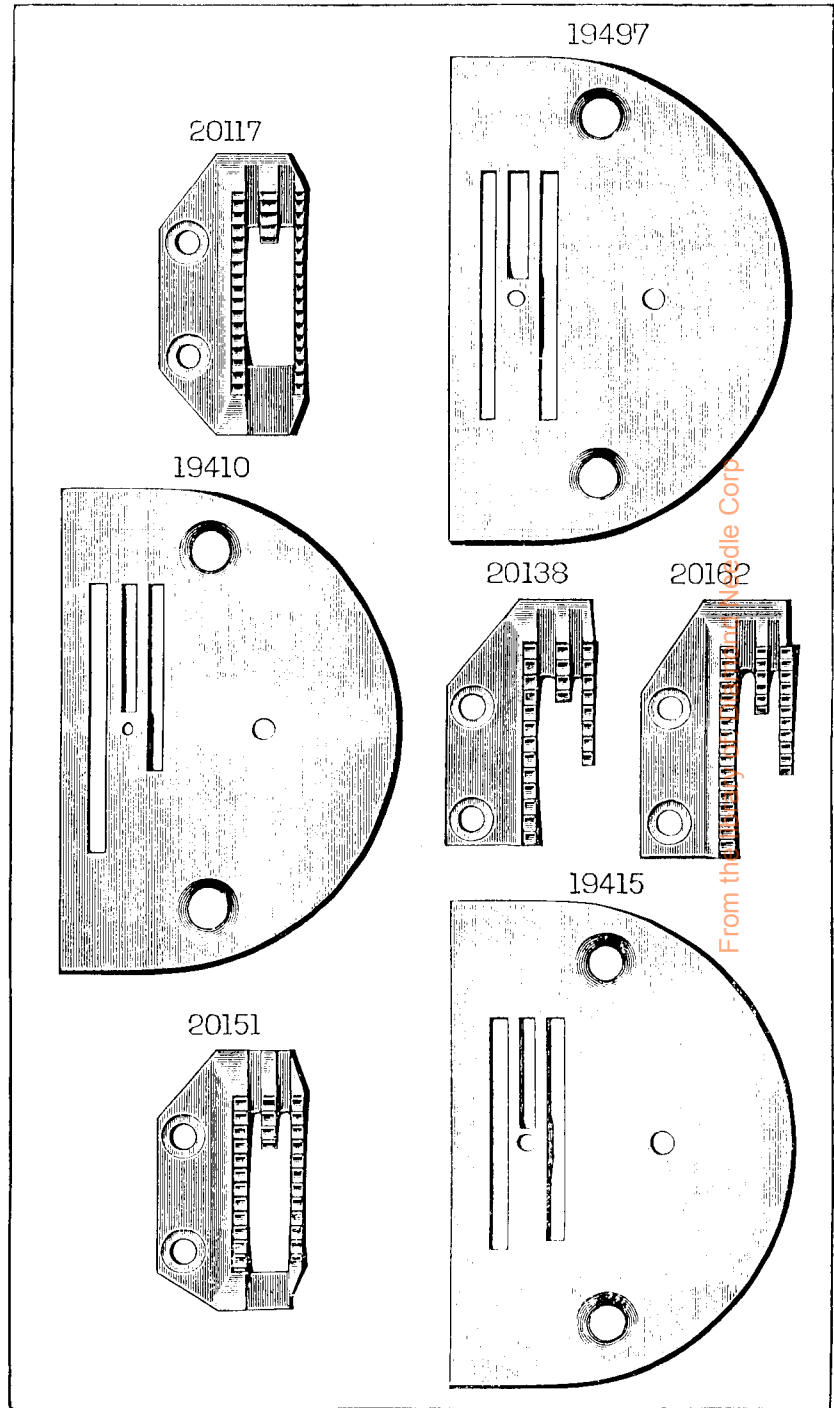
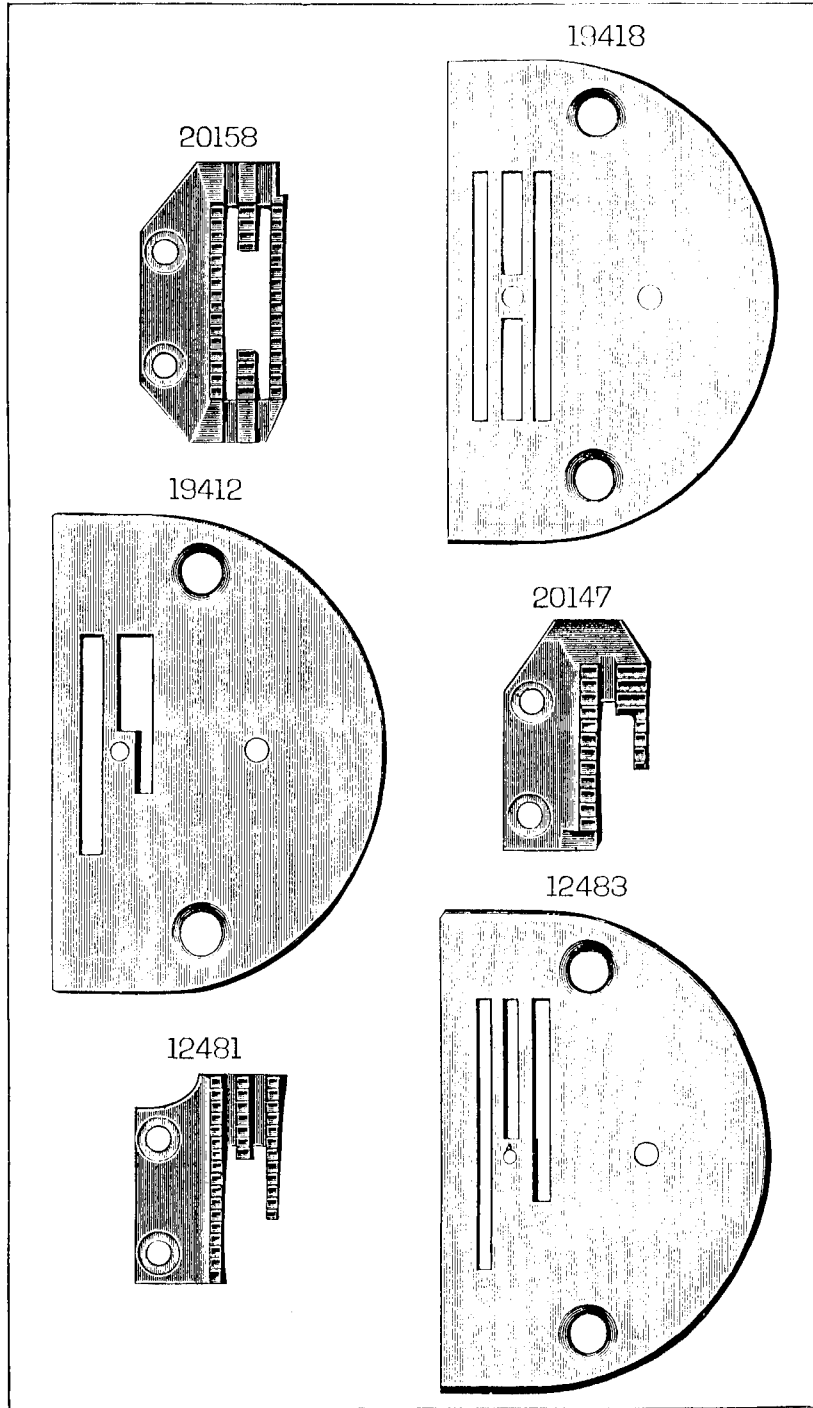
From the library of: Diamond Needle Corp



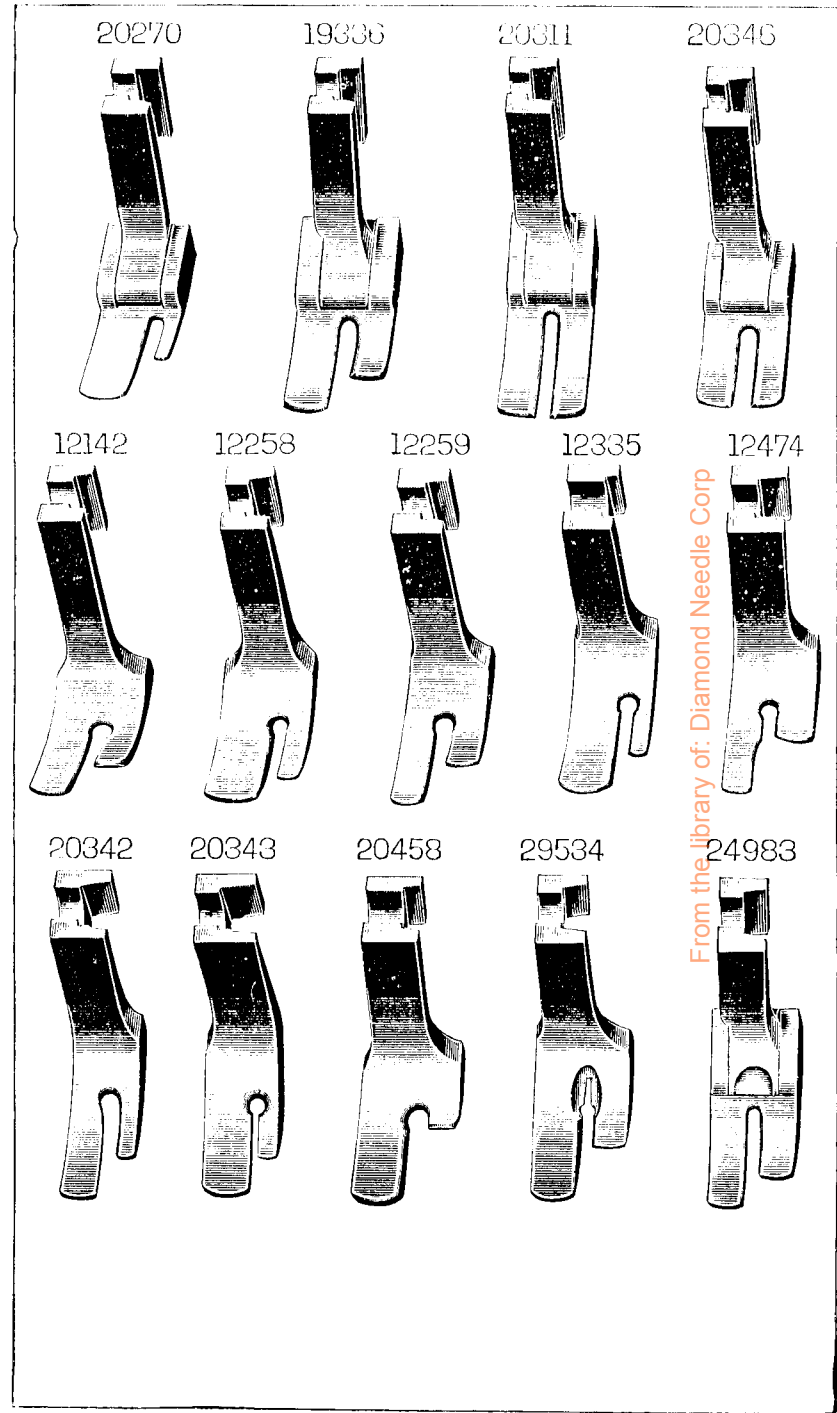
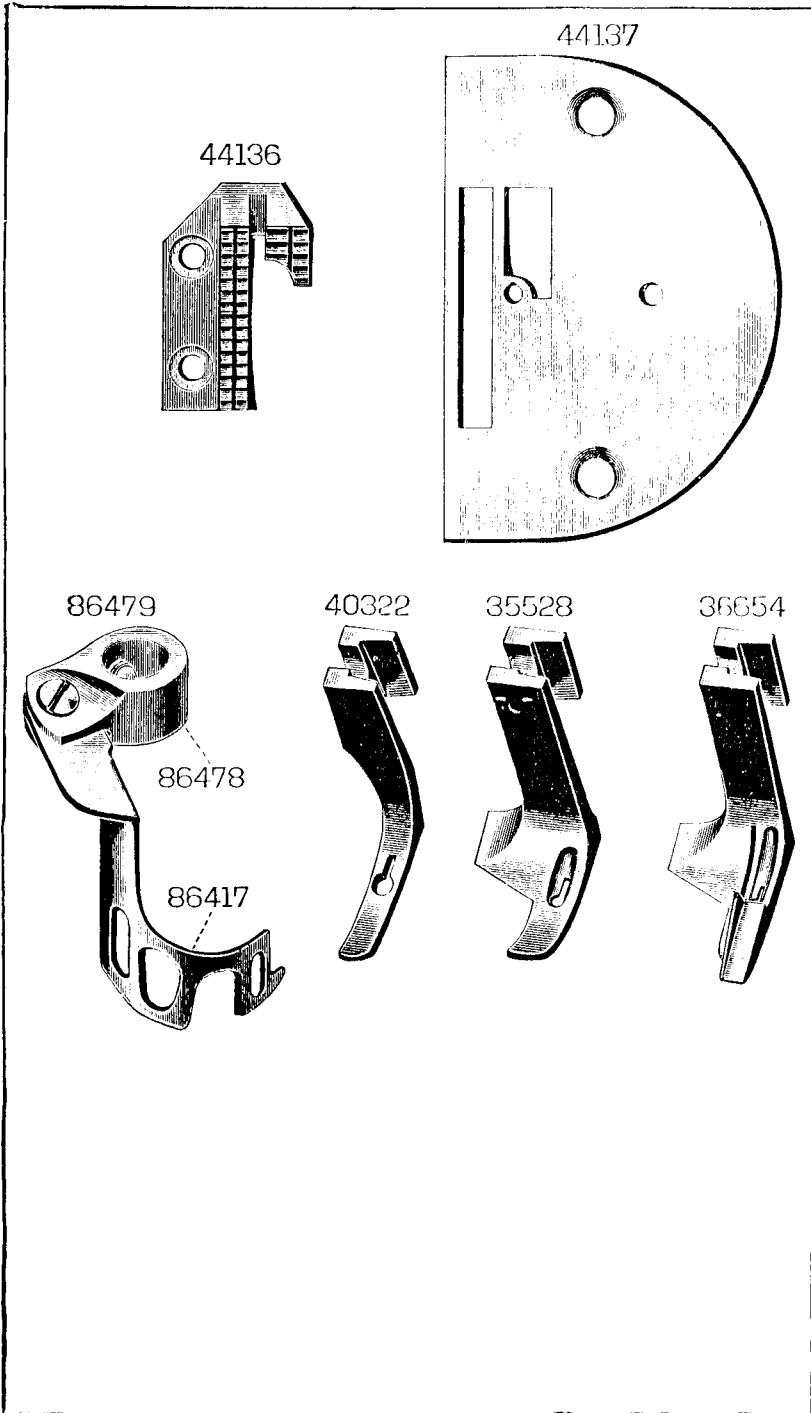
From the library of: Diamond Needle Corp.

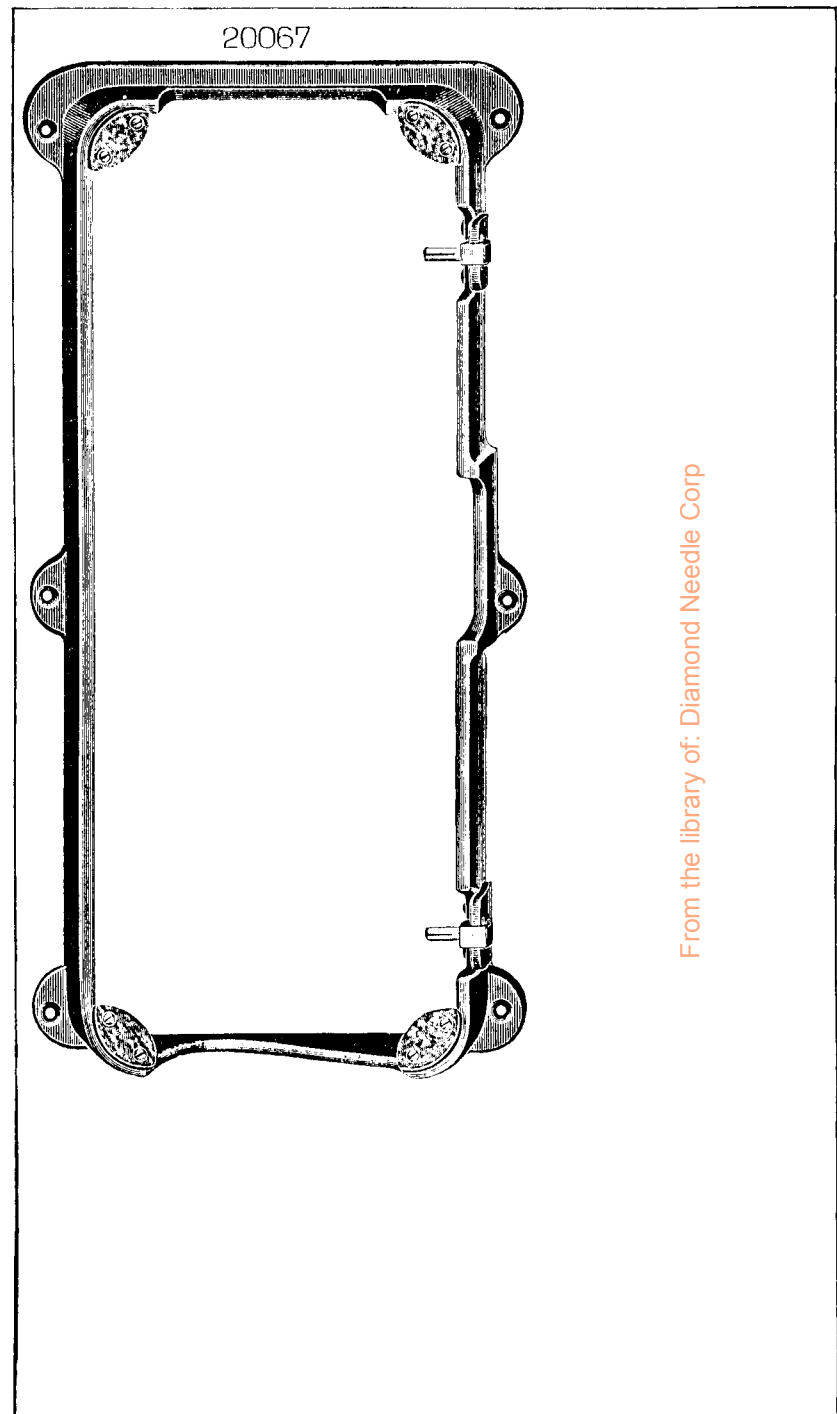
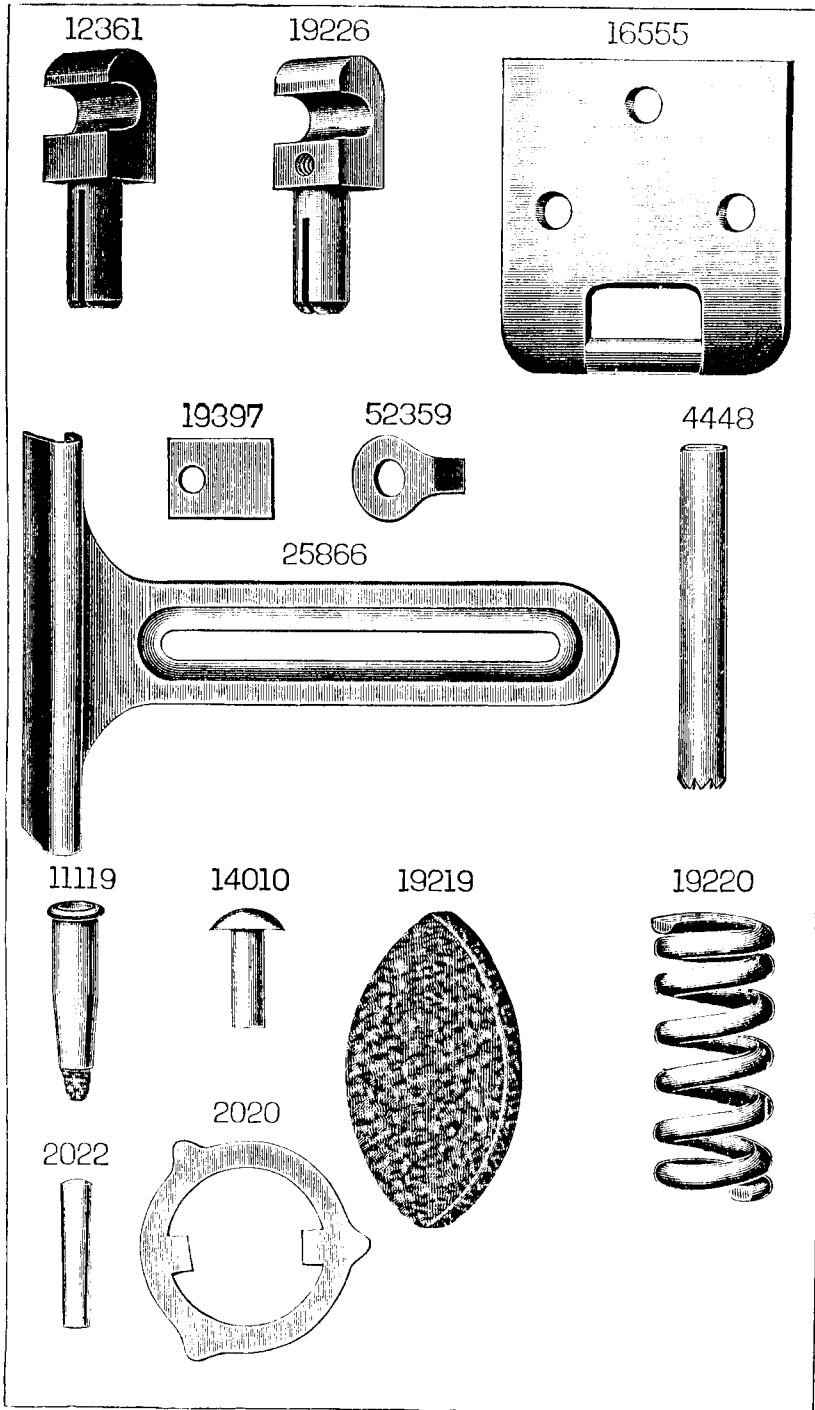


From the library of: Diamond Needle Corp

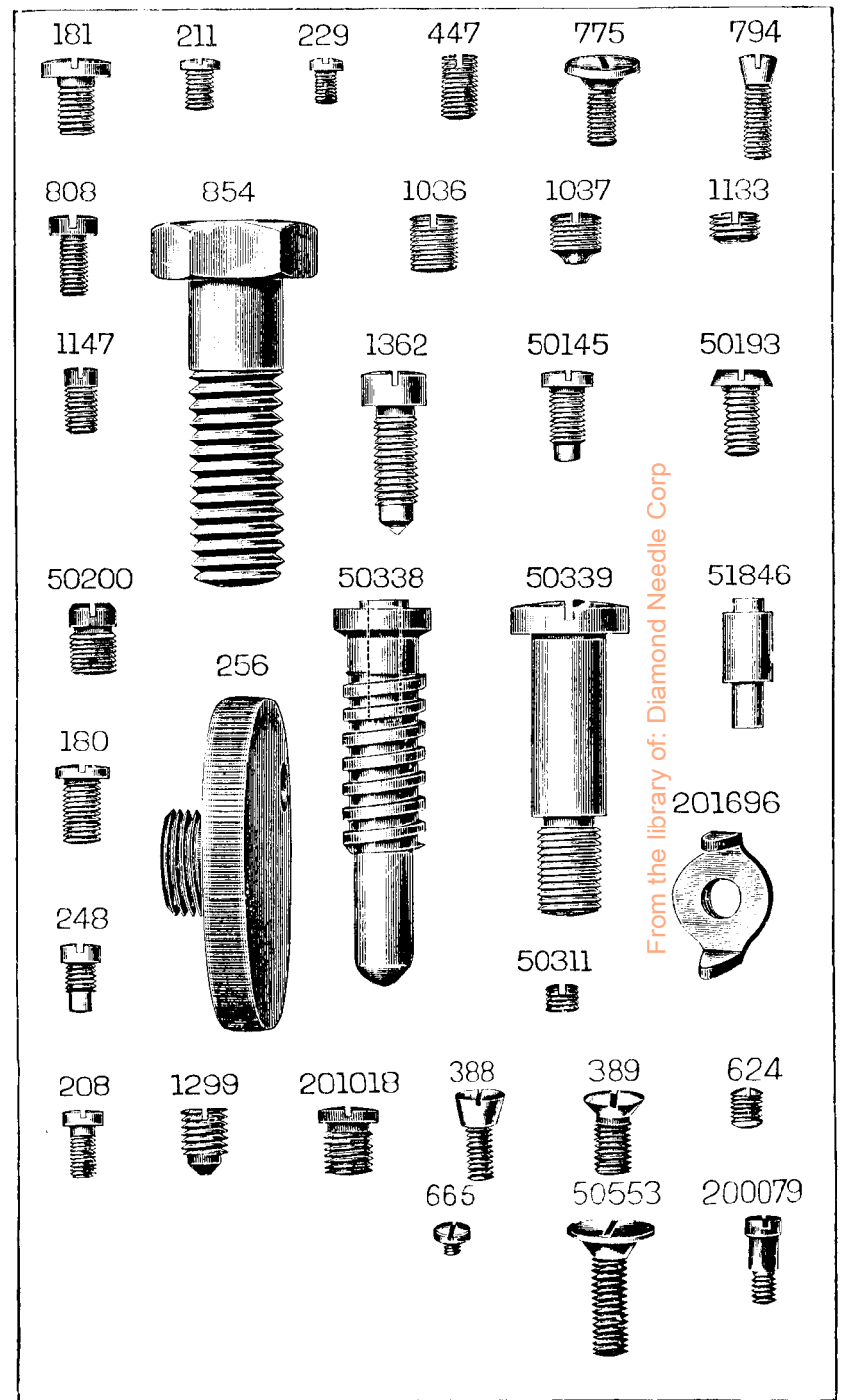
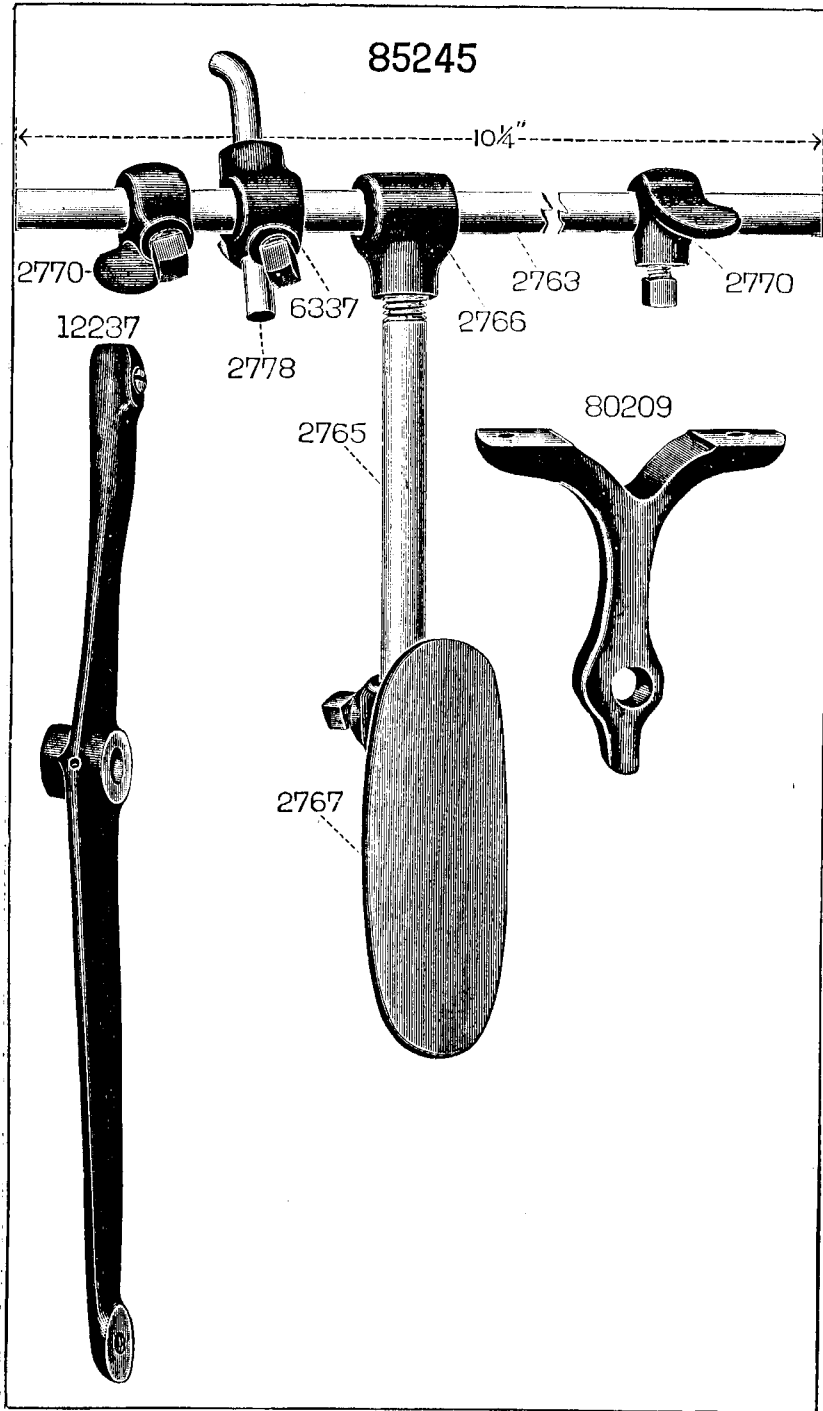


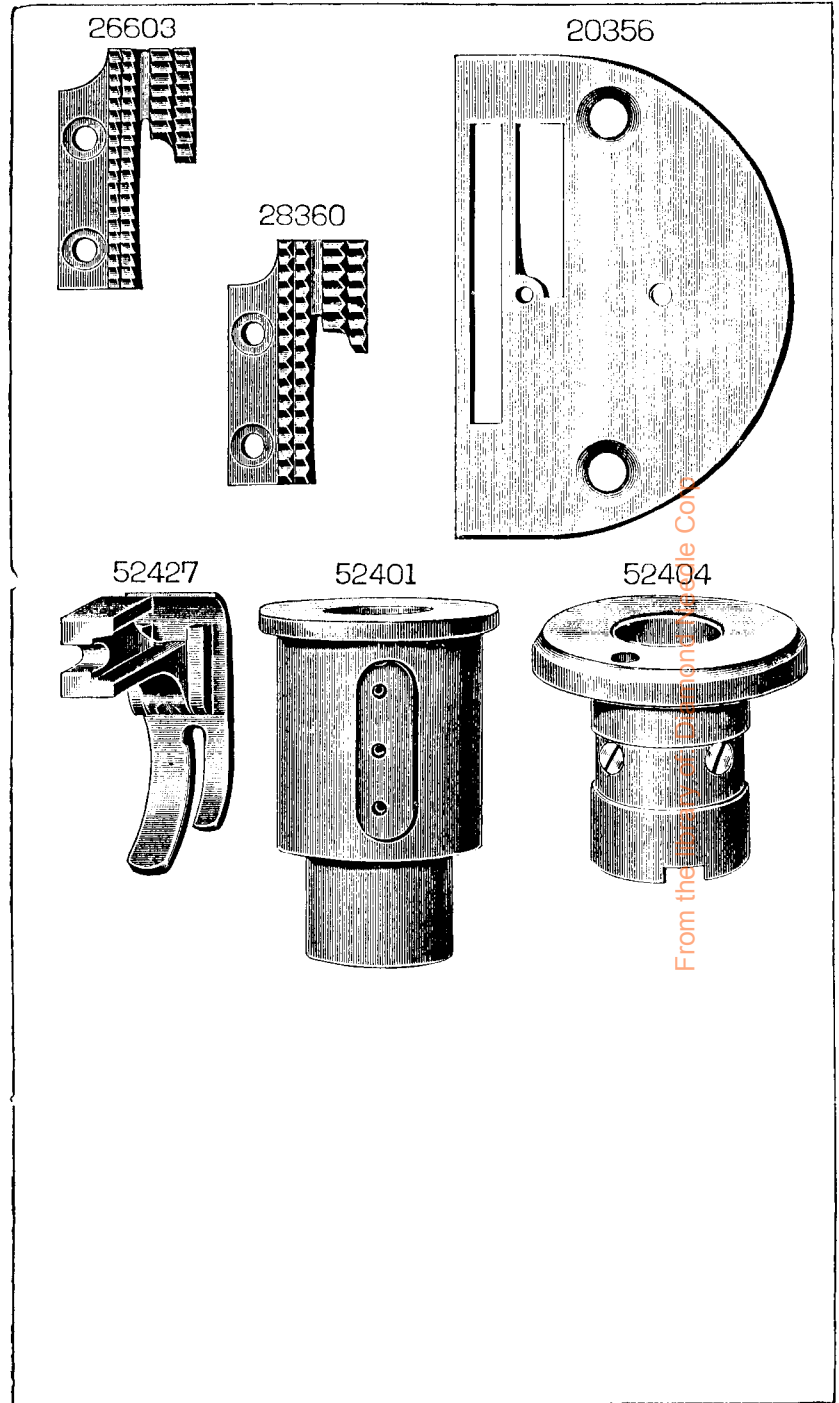
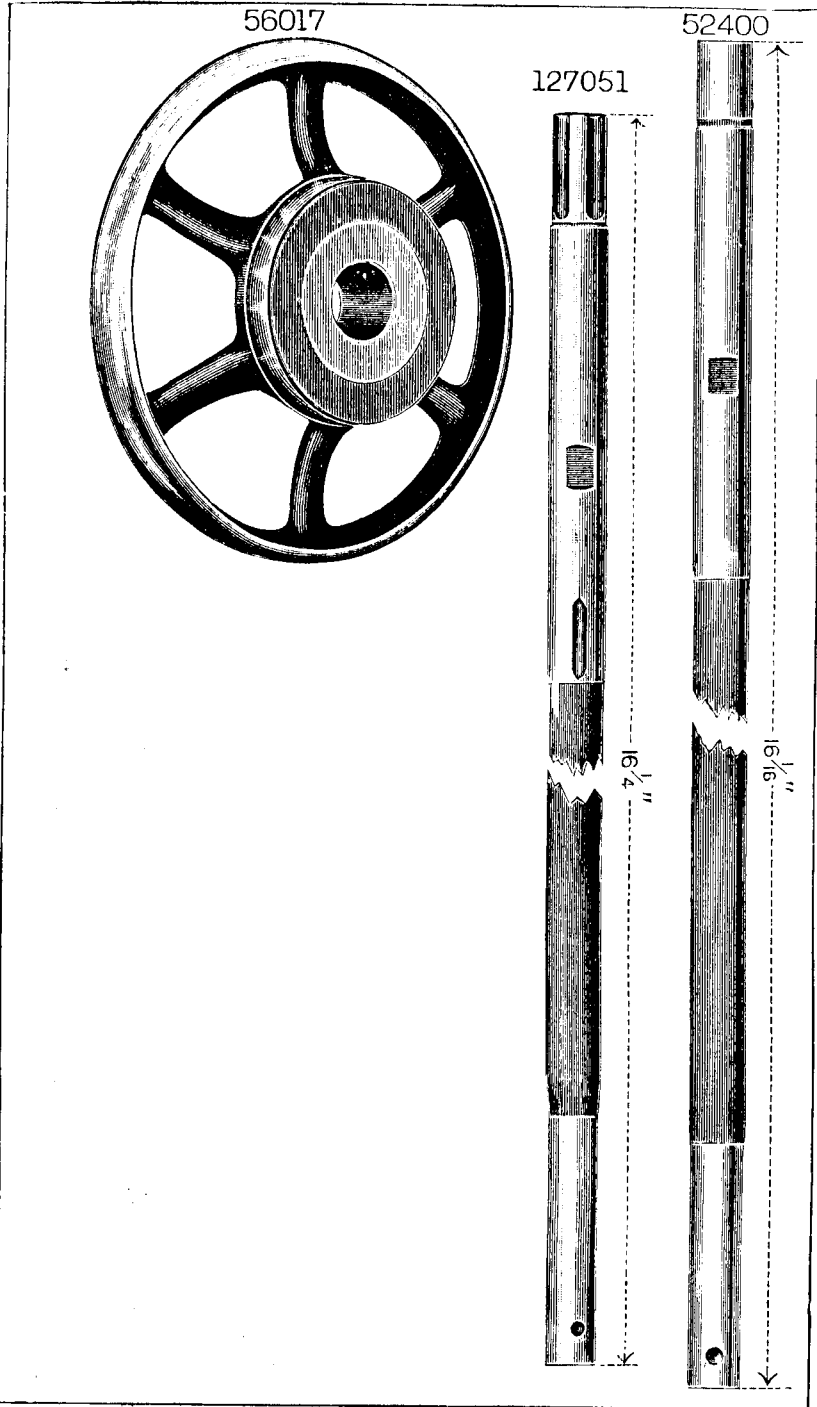
From the Sewing Machine Needle Corp

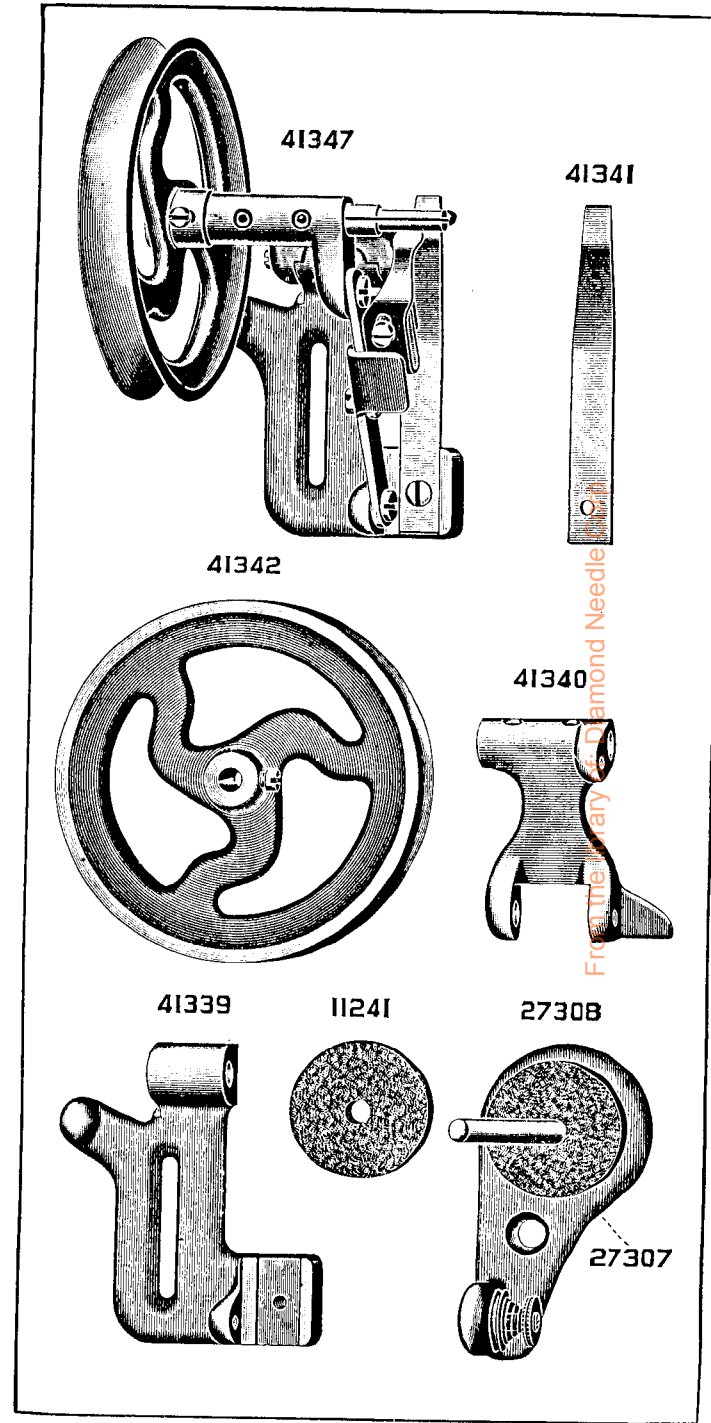
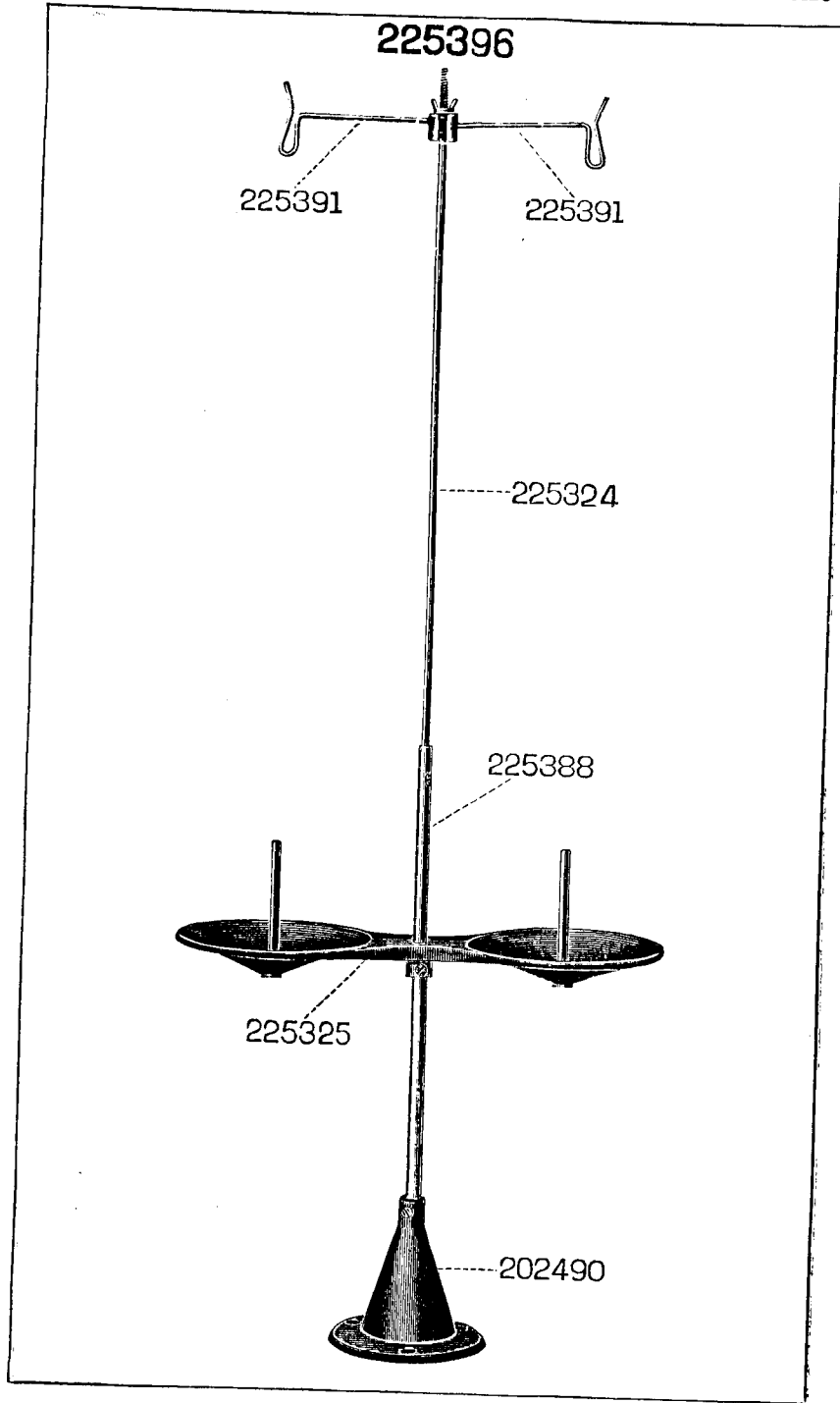


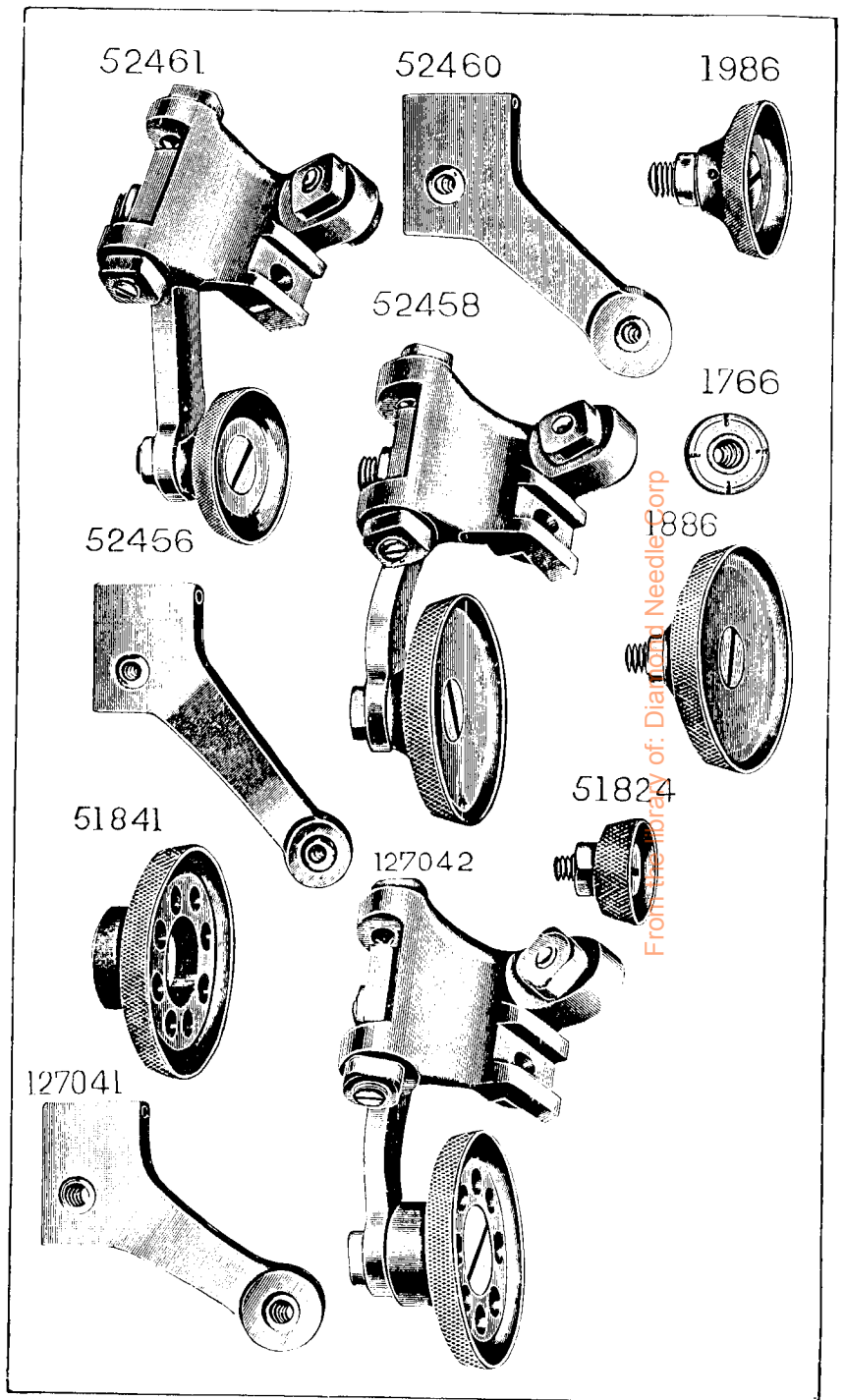
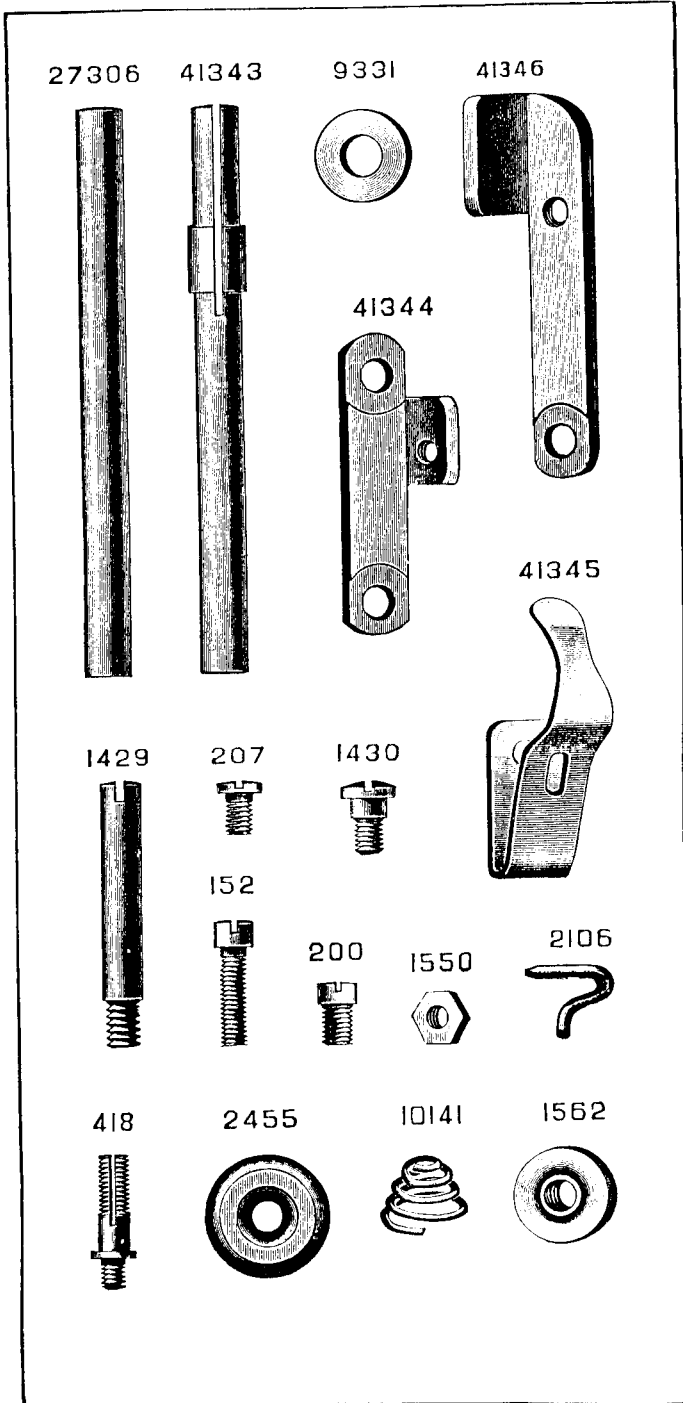


From the library of: Diamond Needle Corp









127046 52464



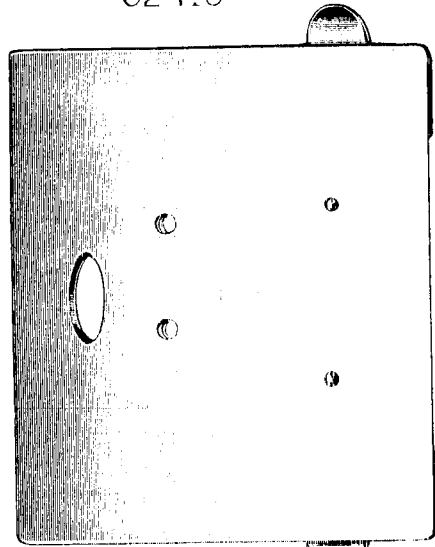
52415



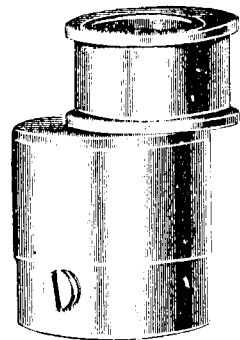
127045



52418



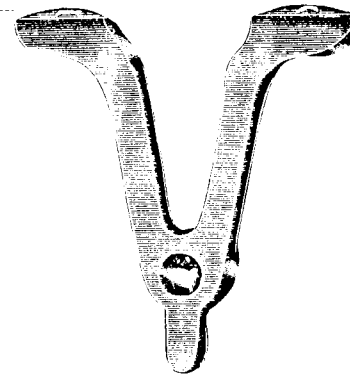
127014



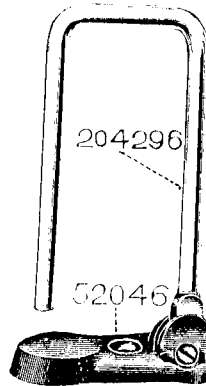
127047



97502



52047

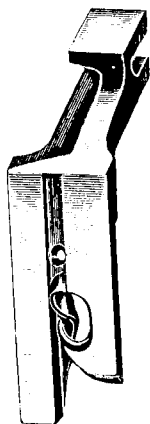


204296

52046

From the library of: Diamond Needle Corp

86546



86539

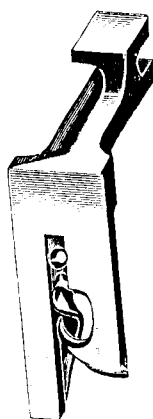
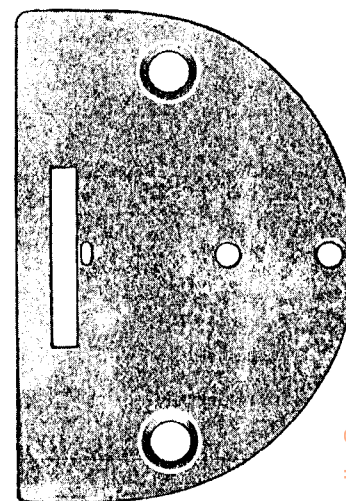


PLATE 7699—FULL SIZE

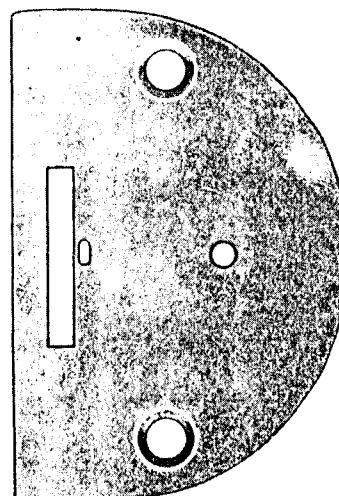
24443



12436



12438



From the library of: Diamond Needle Corp

PLATE 7701-FULL SIZE

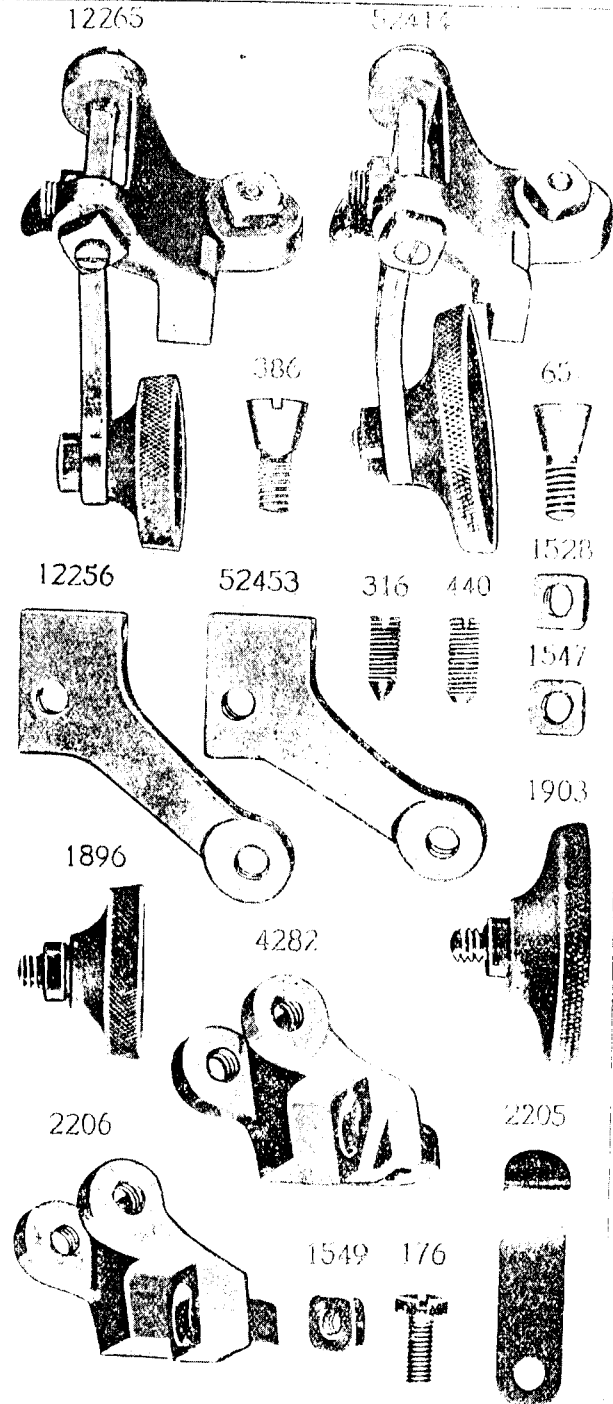
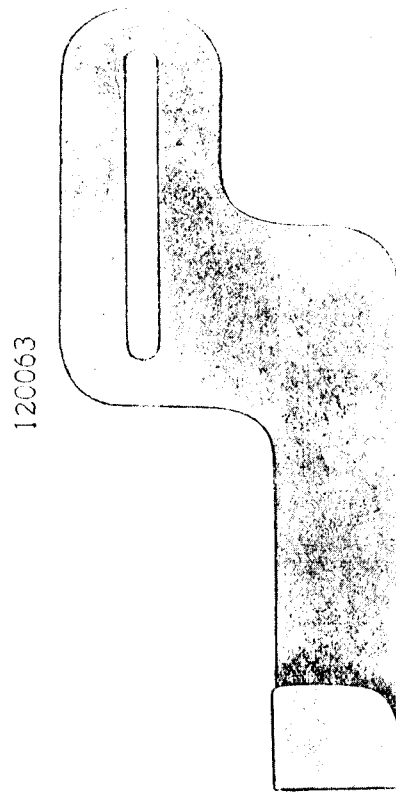
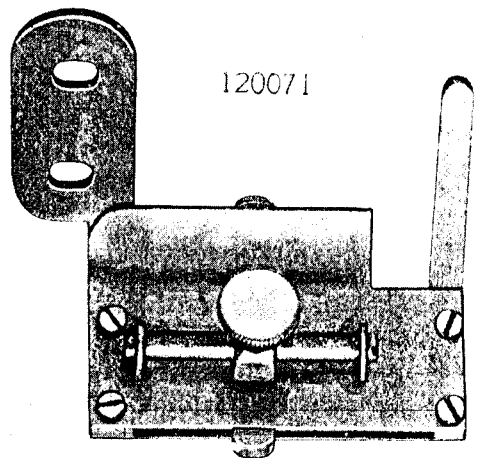


PLATE 7703-FULL SIZE



From the library of: Diamond Needle Corp

PLATE 7704—FULL SIZE

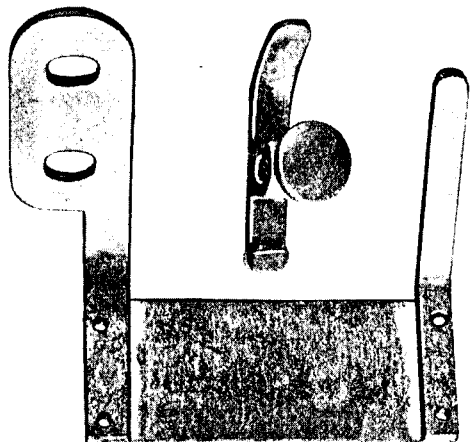


120071

120067

120068

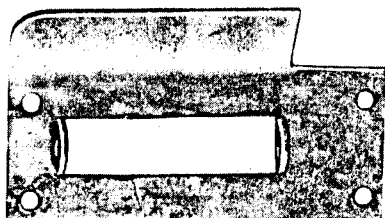
120069



291



120070



1423

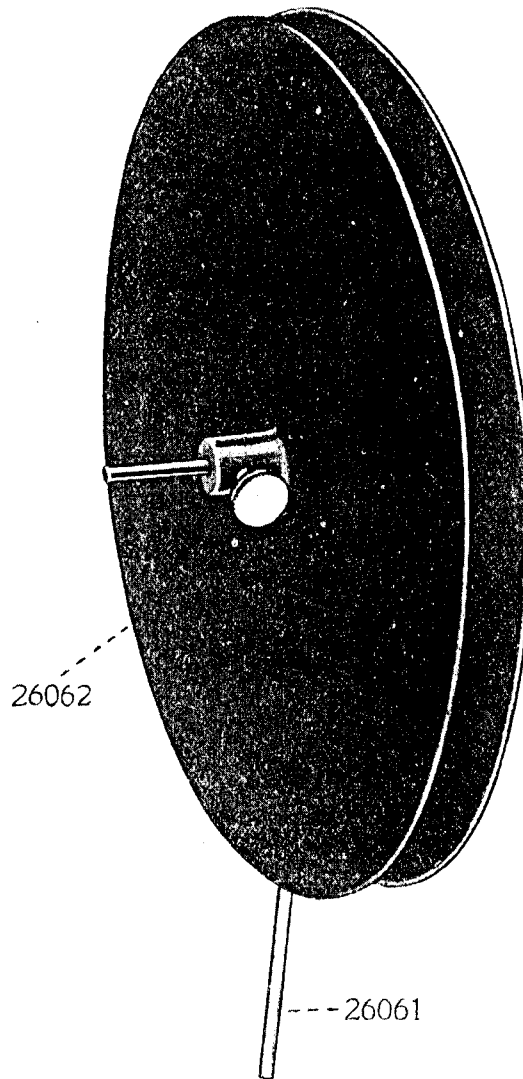


50169



PLATE 7708—ONE-HALF SIZE

26063



26062

26061

From the library of: Diamond Needle Corp

CONTENTS.

**ILLUSTRATED LIST OF
PARTS FOR CLASS 96K
MACHINES**

	<i>Page</i>
Parts, special, to No. 96K3 Machine- Obsolete	105
Parts, complete, for 96K10 Machine	69
" " " 96K12 " 	77
" " " 96K13 " 	84
" " " 96K14 " 	91
" " " 96K16 " 	99
Accessories	106
Attachments	109
Bobbin Winders	107
Iron Base	106
Knee Lifter	118
Numerical List of Parts	121
Tape Holder	119
Thread Unwinder	119

From the library of: Diamond Needle Corp

No.	Plate	
56101	1323	Arm Shaft (upright) Gear (upper) with two 1253c
1253c	1325	" " (") " (") Set Screw
56015	1323	" " (") Oil Tube (lower)
56015	1323	" " (") " " (upper)
12480	1313	" Side Cap
219d	1324	Arm Side Cap Screw
12193	1313	" " Cover
50053d	1325	" " " Thumb Screw
12403	1498	" Spool Pin
41591	1314	Arm Top Cover Tension Bracket with 460c
24131	1498	" " " " " Oil Tube with 52045
52045	1498	" " " " " " " Packing (cotton wick)
180d	1515	" " " " " Screw
12403	1498	" " " " " Spool Pin
8879	1316	" " " " " " " Washer (cloth)
2455	1498	" " " " " Disc
41593	1316	" " " " " Spring
41594	1316	" " " " " Stud
460c	1324	" " " " " Set Screw
41595	1316	" " " " " Thread Guide
41592	1314	Arm Top Cover Tension Bracket , complete, Nos. 12403, 24131, 41591, 41593 to 41595 and two 2455
52005	1313	Balance Wheel (power) light rim, 2 $\frac{3}{16}$ " pulley, with two 448c
52081	---	" " (stand) heavy rim, 2 $\frac{11}{16}$ " pulley, with two 448c
52063	1497	" " Oil Cover
210d	1324	" " " " Screw
448c	1324	" " Set Screw
*52383	---	Bed
<i>NOTE. Due to the accuracy required for Gear alignment, Bed cannot be supplied separately and can only be sent out as a unit, Arm and Bed assembled.</i>		
12431	---	Bed Slide
12432	1313	" " complete, Nos. 4307, 12431 and two 725c
4307	1497	" " Spring
725c	1324	" " " Screw
52051	---	Face Plate
190d	1324	" " Screw
52053	1323	" " Thread Guard (lower)
226d	1324	" " " " (") Screw
56086	1323	" " " " (upper)
226d	1324	" " " " (") Screw
50190d	1325	" " Thumb Screw
52052	1313	Face Platé , complete, Nos. 52051, 52053, 56086 and two 226d

No.	Plate	
52452	1313	Feed Bar
313c	1324	" " Screw Centre (2)
1519e	1325	" " " " Nut (2)
3033	1498	" Connecting Link
375c	1324	" " " Hinge Screw
1518e	1325	" " " " " Nut
52073	1498	" " " " Stud
50083c	1325	" " " " " Set Screw
44136	1510	Feed Dog for tailor work
12369	1506	" " " Cloth, 12 teeth (12 teeth to the inch)
12457	1506	" " " " 16 " (16 " " " ")
12370	1506	" " " " 15 " (16 " " " ")
12125	1506	" " " " "
12450	1507	" " " " 11 teeth (18 teeth to the inch)
20348	1507	" " " Chifton, 22 teeth (36 teeth to the inch)
20106	1507	" " " Cloth
20119	1507	" " " heavy work on duck, overalls, etc.
20158	1508	" " " Shirt work 17 teeth (16 teeth to the inch)
20151	1509	" " " " " Bevelled for Hemmer, 13 teeth (14 teeth to the inch)
20117	1509	" " " " " " " " 16 teeth (16 teeth to the inch)
20138	1509	" " " " " " " " 13 teeth (12 teeth to the inch)
20162	1509	" " " " " " " " 17 teeth (16 teeth to the inch)
20147	1508	" " " 12 teeth (14 teeth to the inch)
12481	1508	" " " for general work, 18 teeth (16 teeth to the inch)
50117c	1325	" " Screw (2)
<i>NOTE. Feed Dog No. 11136 is sent with this machine unless otherwise specified on order.</i>		
127014	1813	Feed and Feed Lifting Eccentric with 448c and 1299c
1299c	1515	" " " " " Position Screw
448c	1324	" " " " " Set Screw
24036	1497	" " " " " Sleeve
20284	1501	" Forked Connection
375c	1324	" " " Hinge Screw
1518e	1325	" " " " " Nut
52384	1500	Feed Lifting Rock Shaft
12430	1497	" " " " " Connecting Rod (steel) with 12204 and two 966e
*12204	---	" " " " " " Cap
966e	1325	" " " " " " " Screw
375c	1324	" " " " " " Hinge Screw
1518e	1325	" " " " " " " Nut

From the library of: Diamond Needle Corp.

No.	Plate						
12376	1498	Feed Lifting Rock Shaft Crank with 157c and 1813
157c	1324	" " " " " Clamping Screw
1813	1498	" " " " " Roller and Stud
50191c	1325	" " " " " Screw Centre (2)
1513j	1317	" " " " " Nut (2)
52385	---	Feed Lifting Rock Shaft, complete, Nos. 12376 and 52384
52074	1323	Feed Regulator with 50083c
1128e	1325	" " Hinge Screw
818d	1325	" " Thumb Screw
52359	1512	" " " " " Stop
<i>NOTE. No. 52359 is only supplied when specified on order.</i>							
52386	1500	Feed Rock Shaft
29633	1498	" " " " " Crank with 157c
157c	1324	" " " " " Clamping Screw
50191c	1325	" " " " " Screw Centre (2)
1513j	1317	" " " " " Nut (2)
52387	---	Feed Rock Shaft, complete, Nos. 29633 and 52386
25866	1512	Guide
50190b	1325	" Thumb Screw
52455	1505	Needle Bar (hollow)
52305	1504	" " Bushing (lower) with 29532
1133e	1515	" " " " " (") Set Screw
52044	1505	" " " " " (upper)
1133e	1515	" " " " " (") Set Screw
24040	1505	" " " " " Connecting Link with 794e
24894	"	" " " " " 24040 with 24041
794e	1515	" " " " " Adjusting Screw
775e	1515	" " " " " Cap Screw
24041	1505	" " " " " Stud with 207e
207e	558	" " " " " Clamping Screw
24052	1505	" " " " " Crank with 858c, 1036c, 1037c and 1063c
1063c	1325	" " " " " Position Screw
858c	1325	" " " " " Set Screw
29532	1498	" " " " " Oil Cup
52306	1505	" " " " " Thread Guard
229d	1515	" " " " " Screw
52307	1505	" " " " " Clamp with 808f
808f	1515	" " " " " Screw
12394	1497	Presser Bar (hollow)
52338	1316	" " Guide Bracket with 223c and 453c
453c	1316	" " " " " Set Screw
52016	1316	" " Lifter
689c	1316	" " " " " Screw

No.	Plate						
1529r	1317	Presser Bar Lifter Screw Nut
12327	1316	" " Lifting and Releasing Lever Bracket
11167	1497	" " Spring
11170	1316	" " " " " Washer
20458	1511	Presser Foot for 14136
12143	972	" " " 12369, 12457 and 20106
12335	1511	" " " (narrow) for 12369, 12457 and 20106
12258	1511	" " " (wide) for 12369, 12457 and 20106
12142	1511	" " " for 12370
12259	1511	" " " 12425
12144	972	" " " 20447, 20438, 20447, 20451, 20438 and 20461
12260	972	" " " 12450, 20447 and 20348
12474	1511	" " " 20333 and 20462
20342	1511	" " " 12450 and 20348
20343	1511	" " " with guide on bottom to the right of needle plate, for 12509, 12450, 12457 and 20348
12261	972	" " " for 12481
62527	---	Presser Foot Hinge Pin
24544	"	" " Plate
24982	"	" " Thread
26231	1498	" " Spring
24983	1511	Presser Foot (frame, lugged), complete, Nos. 24544, 24982, 26231 and 62527, for 12425 and 20449
7298	1498	" " Hinge Pin
19334	"	" " Plate
19335	"	" " Shank
19336	1511	Presser Foot (lugged), complete, Nos. 7298, 19334 and 19335, for 12370
7298	1498	" " Hinge Pin
20268	"	" " Plate
20269	"	" " Shank
20270	1511	Presser Foot (lugged), complete, No. 7298, 20268, and 20269 for 12369, 12457 and 20106
2532	1498	" " Hinge Pin
20310	"	" " Plate
19223	"	" " Shank
20311	1511	Presser Foot (lugged), complete, No. 2532, 19223 and 20310, for 20447, 20438, 20447, 20451, 20458 and 20462
2532	1498	" " Hinge Pin
20344	"	" " Plate
20345	"	" " Shank
26231	1498	" " Spring

No.	Plate	
2034b	1511	Presser Foot (spring, hinged), complete, Nos. 2532, 20344, 20345 and 26231, for 20117, 20138, 20147, 20151, 20158 and 20162
190d	1324	" " Screw
<i>NOTE: Presser Foot No. 20158 is sent with this machine unless otherwise specified on order.</i>		
688j	1324	Pressure Regulating Thumb Screw
52121	1499	Rotating Hook
52123	"	" " 52121 with 52090 and four 1953e
52089	1499	" " 52123 " 40274, three each 1253e and 1367d
52478	"	" " 52089 " 52174
40264	1499	" " Bobbin
52472	1499	Rotating Hook Bobbin Case
52481	"	" " " " 52472 with 591f, 1380d and 40394
40392	1499	" " " " Latch
40409	1499	" " " " " Lever
2974	1499	" " " " " " Fulcrum Pin
2975	1499	" " " " " " Spring
592e	1324	" " " " " " Stop Screw
40393	"	" " " " " Hinge, Nos. 2974, 40392 and 40409
591f	1324	" " " " " Tension Regulating Screw
40394	1499	" " " " " " Spring
1380d	1325	" " " " " " Screw
52473	"	" " " " " complete, Nos. 592e, 2975, 40393 and 52481
52474	"	" " " " " 52473 with 52477
52477	1499	" " " " " Holder with 52475 and two 52476
52018	1498	" " " " " " Position Bracket
704j	1324	" " " " " " " Screw
*52475	"	" " " " " " Locating Plate
*52476	"	" " " " " " " Rivet
40274	1499	" " Section
1367d	1325	" " " " Screw
1253e	1325	" " Set Screw
52388	1501	" " Shaft
56106	1323	" " " Bushing (back)
52045	1498	" " " " () Packing (cotton)
1143c	1325	" " " " " () Set Screw
56107	1323	" " " " " (front)
52045	1498	" " " " " () Packing (cotton)
1148c	1325	" " " " " () Set Screw
54897	1323	" " " Front Bearing Oil Cup
56013	1323	" " " Gear with two 1253e
52072	1313	" " " " Case (two pieces) with 121e and 50234d

No.	Plate	
50234d	1325	Rotating Hook Shaft Gear Case Plug Screw
121e	1324	" " " " " Screw
1253e	1325	" " " " " Set Screw
52090	1499	" " Thread Guard
1053e	1325	" " " " " Screw
52337	1316	Slack Thread Regulator
223c	1316	" " " " Set Screw
2102	1498	Tension Disc
1560e	1325	" Regulating Thumb Nut
32572	1498	" Releasing Disc
43944	1316	" " " Lever
12398	1316	" " " " Hinge Pin
12329	1316	" " " " Spring
32574	1498	" " " " Pin
50304e	1498	" Screw Stud
50305e	1325	" " " " Set Screw
2103	1505	" Spring
52397	—	Tension , complete, Nos. 1560e, 2103, 32572, 32574, 50304e, 52083, 52394 and two 2102
52027	1498	Thread Guard (side of arm)
52454	1323	" Retainer
624c	1515	" " Set Screw
52054	—	Thread Take-up , complete, Nos. 41204, 52025 and 52143
52024	1505	Thread Take-up Crank
52143	"	" " " " 52024 with 775e and 24694
1037c	1515	" " " " Position Screw
1036c	1515	" " " " Set Screw
52022	1503	Thread Take-up Lever with 52130
52023	1505	" " " " Hinge Pin
52024	1505	" " " " Link
11294	1505	" " " " " Hinge Pin
435c	1324	" " " " " " Set Screw
52130	"	" " " " Thread Eyelet Bushing
52025	—	Thread Take-up Lever , complete, Nos. 52022 to 52024
52394	1505	Thread Take-up Spring
52083	1498	" " " " Regulator with 50305e
448c	1324	" " " " " Set Screw

No.	Plate						
52062	1497	Arm Shaft (upright)					
56099	1323	" " (") Bushing (lower)					
432c	1324	" " (") " (") Set Screw					
56100	1323	" " (") " (upper)					
1149c	1325	" " (") " (") Set Screw					
56013	1323	" " (") Gear (lower) with two 1253c					
1253c	1325	" " (") " (") Set Screw					
56101	1323	" " (") " (upper) with two 1253c					
1253c	1325	" " (") " (") Set Screw					
56015	1323	" " (") Oil Tube (lower)					
56015	1323	" " (") " " (upper)					
12480	1313	" Side Cap					
219d	1324	" " " Screw					
12193	1313	" " Cover					
50053d	1325	" " " Thumb Screw					
12403	1498	" Spool Pin					
41591	1314	Arm Top Cover Tension Bracket with 460c					
24131	1498	" " " " " Oil Tube with 52045					
52045	1498	" " " " " " " Packing (cotton wick)					
180d	1515	" " " " " " Screw					
12403	1498	" " " " " " Spool Pin					
8879	1316	" " " " " " " (Washer (cloth)					
2455	1498	" " " " " " Disc					
41593	1316	" " " " " Spring					
41594	1316	" " " " " Stud					
460c	1324	" " " " " " Set Screw					
41595	1316	" " " " " " Thread Guide					
41592	1314	Arm Top Cover Tension Bracket , complete, Nos. 12403, 24131, 41591, 41593 to 41595 and two 2455					
52005	1313	Balance Wheel (power) light rim, 2 $\frac{1}{16}$ " pulley, with two 448c for 127062					
52081	—	" " (stand) heavy rim, 2 $\frac{1}{16}$ " pulley, with two 448c for 127062					
56017	1528	" " 2 $\frac{1}{4}$ " pulley, for 52405					
52063	1497	" " Oil Cover					
210d	1324	" " " " Screw					
448c	1324	" " " " Set Screw					
*52402	—	Bed					

NOTE.—Due to the accuracy required for Gear alignment, Bed cannot be supplied separately and can only be sent out as a unit, Arm and Bed assembled.

No.	Plate						
12431	—	Bed Slide					
12432	1313	" " complete, Nos. 4307, 12431 and two 725c					
4307	1497	" " Spring					
725c	1324	" " " Screw					
256j	1515	Clamp Stop Motion Clamp Screw					
248a	1515	" " " " " Stop Screw					
2020	1512	" " " " " Washer					
*52403	—	Clamp Stop Motion Flanged Bushing					
52404	1529	" " " " " " 52403 with two 50311c					
2022	1512	" " " " " " Pin					
50311c	1515	" " " " " " Set Screw					
52405	—	Clamp Stop Motion , complete, Nos. 248a, 256j, 2020 and 52404					
52051	—	Face Plate					
190d	1324	" " " Screw					
52053	1323	" " " Thread Guard (lower)					
226d	1324	" " " " " (") Screw					
56086	1323	" " " " " (upper)					
226d	1324	" " " " " (") Screw					
50190d	1325	" " " Thumb Screw					
52052	1313	Face Plate , complete, Nos. 52051, 52053, 56086 and two 226d					
52452	1313	Feed Bar					
313c	1324	" " " Screw Centre (2)					
1519c	1325	" " " " " Nut (2)					
3033	1498	" Connecting Link					
375c	1324	" " " " Hinge Screw					
1518c	1325	" " " " " " Nut					
52073	1498	" " " " " Stud					
50083c	1325	" " " " " " Set Screw					
26603	1529	Feed Dog					
28360	1529	" " (15 conical teeth)					
120001	1502	" " (spiked teeth)					
50117c	1325	" " " Screw (2)					
127018	1503	Feed and Feed Lifting Eccentric with two 448c					
448c	1324	" " " " " " Set Screw					
24036	1497	" " " " " " Sleeve					
52407	1501	" Forked Connection					
375c	1324	" " " " Hinge Screw					
1518c	1325	" " " " " " Nut					

NOTE.—Feed Dog No. 26603 is sent with this machine unless otherwise specified on order.

No.	Plate								
52384	1500	Feed Lifting Rock Shaft
12430	1497	" " " "	Connecting Rod (steel) with 12204 and
			two 9666e
*12204	---	" " " "	" " Cap
966e	1325	" " " "	" " Screw
375e	1324	" " " "	" " Hinge Screw
1518e	1325	" " " "	" " " Nut
12376	1498	" " " "	Crank with 157e and 1813
157e	1324	" " " "	" Clamping Screw
1813	1498	" " " "	" Roller and Stud
50191e	1325	" " " "	Screw Centre (2)
1513j	1317	" " " "	" " Nut (2)
52385	-	Feed Lifting Rock Shaft, complete, Nos. 12376 and 52384
50338e	1515	Feed Regulating Screw Stud
56032	1502	" " " "	Head with 56033
50193j	1515	" " " "	" Cap Screw
56033	1504	" " " "	" Stop Pin
56034	1592	" " " "	" Lock Pin
56035	1502	" " " "	" Spring
52408	1592	Feed Regulator with 50083e
1128e	1325	" " " "	Hinge Screw
52409	1502	Feed Reverse Lever with 158e and 51846
50339d	1515	" " " "	Hinge Screw
158e	1324	" " " "	" Clamping Screw
52410	1502	" " " "	" Friction Washer
51846	1515	" " " "	" Roller and Stud
52386	1500	Feed Rock Shaft
29633	1498	" " " "	Crank with 157e
157e	1324	" " " "	" Clamping Screw
50191e	1325	" " " "	Screw Centre (2)
1513j	1317	" " " "	" Nut (2)
52387	-	Feed Rock Shaft, complete, Nos. 29633 and 52386
25866	1512	Guide
50190b	1325	" Thumb Screw
52455	1505	Needle Bar (hollow)
52305	1504	" " Bushing (lower) with 29532
1133e	1515	" " " "	(") Set Screw
52014	1505	" " " "	(") Set Screw
1133e	1515	" " " "	(") Set Screw
24040	1505	" " Connecting Link with 794e
24894	-	" " " "	24040 with 24041

No.	Plate								
794e	1515	Needle Bar	Connecting Link Adjusting Screw
775e	1515	" " " "	Cap Screw
24041	1505	" " " "	Stud with 207e
207e	558	" " " "	" Clamping Screw
24052	1505	" " Crank with 858e, 1036e, 1037e and 1065e
1065e	1325	" " " "	Position Screw
858e	1325	" " " "	Set Screw
29532	1498	" " Oil Cup
52306	1505	" " Thread Guard
229d	1515	" " " "	Screw
52307	1505	" Clamp with 808f
808f	1515	" " Screw
12391	1497	Presser Bar (hollow)
52338	1316	" " Guide Bracket with 223e and 453e
453e	1316	" " " "	Set Screw
52016	1316	" " Lifter
689c	1316	" " " "	Screw
1520r	1317	" " " "	Nut
12327	1316	" " Lifting and Releasing Lever Bracket
11167	1497	" " Spring
11170	1316	" " " "	Washer
62527	---	Presser Foot Hinge Pin
52426	---	" " Plate
52390	---	" " Shank
26231	1498	" " Spring
52427	1520	Presser Foot (spring, hinged), complete, Nos. 26231, 52390, 52426 and 62527
190d	1324	" " Screw
688j	1324	Pressure Regulating Thumb Screw
52121	1499	Rotating Hook
52123	---	" " 52121 with 52090 and four 1053e
52089	1499	" " 52123 with 40274, three each 1253e and 1367d
52178	-	" " 52089 with 52474
40264	1499	" " Bobbin
52472	1499	" " " "	Case
52481	---	" " " "	52472 with 591f, 1380d and 40394
40392	1499	" " " "	Latch
40409	1499	" " " "	Lever
2974	1499	" " " "	Endarm Pin
2975	1499	" " " "	Spring
592e	1324	" " " "	Stop Screw
40393	---	" " " "	Hinge Nos. 2974, 40392 and 40409

No.	Plate								
591f	1324	Rotating Hook	Bobbin Case Tension Regulating Screw
40394	1499	"	" " " " " Spring
1380d	1325	"	" " " " " Screw
52473	---	"	" " " " complete, Nos. 592e, 2975, 40393 and 52481
52474	---	"	" " " " 52473 with 52477
52477	1499	"	" " " " Holder with 52475 and two 52476
52018	1498	"	" " " " " Position Bracket
704j	1324	"	" " " " " " " Screw
*52475	---	"	" " " " " Locating Plate
*52476	---	"	" " " " " " " Rivet
40274	1499	"	" " Section
1367d	1325	"	" " " Screw
1253c	1325	"	" " Set Screw
52388	1501	"	" " Shaft
56106	1323	"	" " Bushing (back)
52045	1498	"	" " " " (") Packing (cotton)
1143c	1325	"	" " " " (") Set Screw
56107	1323	"	" " " " (Iron)
52045	1498	"	" " " " (") Packing (cotton)
1148c	1325	"	" " " " (") Set Screw
54897	1323	"	" " " Front Bearing Oil Cup
56013	1323	"	" " " Gear with two 1253c
52072	1313	"	" " " " Case (two pieces) with 121c and 50234d
50234d	1325	"	" " " " " Plug Screw
121c	1324	"	" " " " " Screw
1253c	1325	"	" " " " " Set Screw
52090	1499	"	" " Thread Guard
1053c	1325	"	" " " " " Screw
52337	1316	Slack Thread Regulator
223c	1316	"	" " " " " Set Screw
2102	1498	Tension Disc
1560c	1325	"	" Regulating Thumb Nut
32572	1498	"	" Releasing Disc
43944	1316	"	" " " Lever
12398	1316	"	" " " " Hinge Pin
12329	1316	"	" " " " Spring
32574	1498	"	" " " " Pin
50304c	1498	"	" Screw Stud
50305c	1325	"	" " " " " Set Screw
2103	1505	"	" Spring
52397	---	Tension , complete, Nos. 1560c, 2103, 32572, 32574, 50304c, 52083, 52394 and two 2102

No.	Plate								
52027	1498	Thread Guard (Side of Arm)
52154	1323	"	" Retainer
624c	1515	"	" " " Set Screw
52954	---	Thread Take-up , complete, Nos. 41204, 52025 and 52143
52024	1505	Thread Take-up Crank
52143	---	" " " " 52024 with 775c and 24894
1037c	1515	"	" " " " Position Screw
1036c	1515	"	" " " " " Set Screw
52022	1503	Thread Take-up Lever with 52130
52023	1505	"	" " " " Hinge Pin
52024	1505	"	" " " " Link
11204	1505	"	" " " " " Hinge Pin
135c	1324	Thread Take-up Lever Link Hinge Pin Set Screw
52130	---	"	" " " " Thread Eyelet Bushing
52025	---	Thread Take-up Lever , complete, Nos. 52022 to 52024
52394	1505	Thread Take-up Spring
52083	1498	"	" " " " Regulator with 50305c
118c	1324	"	" " " " " Set Screw
20356	1529	Throat Plate , large needle hole, for 26603, 28360 and 120004
20357	---	"	" " " " small " " " " 26603, 28360 and 120004
691f	1324	"	" " " " " Screw (2)
<i>NOTE: Throat Plate No. 20356 is sent with this machine unless otherwise specified on order.</i>									
215104	---	Trade Mark
15405	---	"	" " " " Rivet
44212	---	Drip Pan with four Wood Screws $\frac{1}{2}$ " No. 5

From the Library of: Diamond Needle Corp

PARTS COMPLETE FOR No. 96K13 MACHINE

For Eyelet Row Stitching. Drop Feed.

No.	Plate						
*52381	---	Arm	with 15104, two each 15405 and 56015
<i>NOTE. Due to the accuracy required for Gear alignment, Arm cannot be supplied separately and can only be sent out as a unit, Arm and Bed assembled.</i>							
16532	1498	Arm Dowel Pin (2)
24131	1498	" Oil Tube with 52045 for oiling	21036
52084	1323	" " " " 52045	" " 21040
11119	1512	" " " " 52045	" " 52022
12454	1498	" " " " 52045	" " 52021
52148	---	" " " "
52149	---	" " " 52148 with 52150
52150	---	" " " Packing (braided cotton)
52045	1498	" " " Packing (cotton wick)
116c	1324	" Screw (back) (2)
854e	1515	" " (front) (2)
127047	1815	Arm Shaft (horizontal)
127048	---	" " (")	127047 with 21036, 21052, 52060 and 127045
52059	1497	" " (")	Flanged Bushing (back)
52045	1498	" " (")	" " (") Oil Pad (cotton wick)
448c	1324	" " (")	" " (") Set Screw
52078	1497	" " (")	" " (front)
52045	1498	" " (")	" " (") Oil Pad (cotton wick)
435c	1324	" " (")	" " (") Set Screw
54897	1323	" " (")	Front Bearing Oil Cup
52060	1323	" " (")	Gear with two 1036c
52151	1313	" " (")	" Case (two pieces) with 121e
121e	1324	" " (")	" " Screw
1036c	1515	" " (")	" Set Screw
144d	1324	" " (")	Screw
52062	1497	" " (upright)
56099	1323	" " (")	Bushing (lower)
432c	1324	" " (")	" (") Set Screw
56100	1323	" " (")	" (upper)
1149c	1325	" " (")	" (") Set Screw
56013	1323	" " (")	Gear (lower) with two 1253c

No.	Plate						
1253c	1325	Arm Shaft (upright) Gear (lower) Set Screw
56101	1323	" " (") " (upper) with two 1253c
1253c	1325	" " (") " (") Set Screw
56015	1323	" " (") Oil Tube (lower)
56015	1323	" " (") " " (upper)
12480	1313	" Side Cap
219d	1324	Arm Side Cap Screw
12193	1313	" " Cover
50053d	1325	" " " Thumb Screw
12403	1498	" Spool Pin
41591	1314	Arm Top Cover Tension Bracket with 460c
24131	1498	" " " " " Oil Tube with 52045
52045	1498	" " " " " " " Packing (cotton wick)
180d	1515	" " " " " Screw
12403	1498	" " " " " Spool Pin
8879	1316	" " " " " " " Washer (cloth)...
2455	1498	" " " " " Disc
41593	1316	" " " " " Spring
41591	1316	" " " " " Stud
460c	1324	" " " " " Set Screw
41595	1316	" " " " " Thread Guide
41592	1314	Arm Top Cover Tension Bracket, complete, Nos. 12403, 24131, 41591, 41593 to 41595 and two 2455
52005	1313	Balance Wheel (power) light rim, 2 ³ / ₁₆ " pulley, with two 448c
52081	---	" " (stand) heavy rim, 2 ¹¹ / ₁₆ " pulley, with two 448c
52063	1497	" " Oil Cover
210d	1324	" " " " Screw	
448c	1324	" " " Set Screw
*52383	---	Bed
<i>NOTE. Due to the accuracy required for Gear alignment, Bed cannot be supplied separately and can only be sent out as a unit, Arm and Bed assembled.</i>							
12431	---	Bed Slide
12432	1313	" " complete, Nos. 4307, 12431 and two 725c
4307	1497	" " Spring
725c	1324	" " " Screw
52051	---	Face Plate
190d	1324	" " Screw
52053	1323	" " Thread Guard (lower)
226d	1324	" " " " (") Screw	
56086	1323	" " " " " (upper)	
226d	1324	" " " " " (") Screw	
50190d	1325	" " Thumb Screw

No.	Plate	
52052	1313	Face Plate , complete, Nos. 52051, 52053, 56086 and two 226d ...
52152	1313	Feed Bar ...
313c	1324	" " Screw Centre (2) ...
1519e	1325	" " " " Nut (2) ...
3033	1498	" Connecting Link ...
375c	1324	" " " Hinge Screw ...
1518e	1325	" " " " " Nut ...
52073	1498	" " " " Stud ...
50083c	1325	" " " " " Set Screw ...
12436	7699	Feed Dog ...
50117c	1325	" " Screw (2) ...
127014	1813	Feed and Feed Lifting Eccentric with 148c and 1299c ...
1299c	1515	" " " " " Position Screw ...
148c	1324	" " " " " Set Screw ...
24036	1497	" " " " " Sleeve ...
20284	1501	" Forked Connection ...
375c	1324	" " " " Hinge Screw ...
1518e	1325	" " " " " Nut ...
52384	1500	Feed Lifting Rock Shaft ...
12430	1497	" " " " Connecting Rod (feet) with 12204 and two 966e ...
*12204	-	" " " " " " Cap ...
966e	1325	" " " " " " Screw ...
375c	1324	" " " " " " Hinge Screw ...
1518e	1325	" " " " " " " Nut ...
12376	1498	" " " " Crank with 157c and 1813 ...
157c	1324	" " " " " Clamping Screw ...
1813	1498	" " " " " Roller and Stud ...
50191c	1325	" " " " " Screw Centre (2) ...
1513j	1317	" " " " " Nut (2) ...
52385	-	Feed Lifting Rock Shaft , complete, Nos. 12376 and 52384 ...
52071	1323	Feed Regulator with 50083c ...
1128e	1325	" " Hinge Screw ...
818d	1325	" " Thumb Screw ...
52359	1512	" " " " Stop ...
52386	1500	Feed Rock Shaft ...
29633	1498	" " " Crank with 157c ...
157c	1324	" " " " Clamping Screw ...
50191c	1325	" " " " Screw Centre (2) ...
1513j	1317	" " " " Nut (2) ...
52387	-	Feed Rock Shaft , complete, Nos. 29633 and 52386 ...

No.	Plate	
25866	1512	Guide ...
50190b	1325	" Thumb Screw ...
52155	1505	Needle Bar (hollow) ...
52305	1504	" " Bushing (lower) with 29532 ...
1133e	1515	" " " (") Set Screw ...
52014	1505	" " " (upper) ...
1133e	1515	" " " (") Set Screw ...
24040	1505	" " Connecting Link with 791c ...
24894	"	" " " " 24040 with 24041 ...
791c	1515	" " " " Adjusting Screw ...
775e	1515	" " " " Cap Screw ...
24041	1505	" " " Stud with 297c ...
207c	558	" " " " Clamping Screw ...
24052	1505	" " Crank with 858c, 1936c, 1037c and 1065c ...
1065c	1325	" " " " Position Screw ...
858c	1325	" " " " Set Screw ...
29532	1498	" " Oil Cup ...
127015	1813	" " Thread Guard ...
229d	1515	" " " " Screw ...
127016	1813	" Clamp with 808f ...
808f	1515	" " Screw ...
12391	1497	Presser Bar (hollow) ...
52338	1316	" " Guide Bracket with 223c and 453c ...
453c	1316	" " " " Set Screw ...
52016	1316	" " Lifter ...
689c	1316	" " " Screw ...
1520r	1317	" " " " Nut ...
12327	1316	" " Lifting and Releasing Lever Bracket ...
11167	1497	" " Spring ...
11170	1316	" " " Washer ...
688j	1324	Pressure Regulating Thumb Screw ...
1896	7701	Roller , $\frac{1}{8}$ " diam., fine, with 386d and 1528d, for 12265 ...
31824	1812	" $\frac{3}{16}$ " diam., coarse, with 388d and 1530b, for 52157 ...
1986	1812	" $\frac{1}{4}$ " diam., fine, with 652d and 1528d, for 52161 ...
12256	7701	Roller Arm for 12265 ...
52156	1812	" " " 52157 ...
52160	1812	" " " 52161 ...
1104	7701	" " Adjusting Screw ...
1547j	1325	" " " " Nut ...
2206	7701	" " Bracket ...
316f	1324	" " " Screw Centre ...
1547j	1325	" " " " Nut ...

No.	Plate								
2205	7701	Roller Arm Lock Spring
176d	559	" " " " Screw
1549j	7701	" " " " Nut
12265	7701	Roller Presser, complete, $\frac{7}{8}$" fine roller, Nos. 176d, 140f, 1549j, 1896, 2205, 2206, 12256, two 316f and three 1547j
52457	---	Roller Presser, complete, $\frac{9}{16}$" coarse roller, Nos. 176d, 140f, 1549j, 2205, 2206, 51824, 52456, two 316f and three 1547j
52461	1812	Roller Presser, complete, $\frac{7}{8}$" fine roller, Nos. 176d, 140f, 1549j, 1986, 2205, 2206, 52460, two 316f and three 1547j
190d	1324	Roller Presser Screw
386d	7701	" Screw for 1896
388d	1515	" " " 51824
652d	7701	" " " 1986
1528d	7701	Roller Screw Nut for 1896 and 1986
1550h	1688	" " " " 51824
52121	1499	Rotating Hook
52123	---	" " 52121 with 52090 and four 1053e
52089	1499	" " 52123 " 40274, three each 1253e and 4367d
52478	---	" " 52089 " 52474
40264	1499	" " Bobbin
52472	1499	" " " Case
52481	---	" " " " 52472 with 591f, 1380d and 40394
40392	1499	" " " " Latch
40409	1499	" " " " " Lever
2974	1499	" " " " " Fulcrum Pin
2975	1499	" " " " " Spring
592e	1324	" " " " " Stop Screw
40393	---	" " " " " Hinge, Nos. 2974, 40392 and 40409
591f	1324	" " " " " Tension Regulating Screw
40394	1499	" " " " " Spring
1380d	1325	" " " " " Screw
52473	---	" " " " " complete, Nos. 592e, 2975, 40393 and 52481
52474	---	" " " " " 52473 with 52477
52477	1499	" " " " " Holder with 52475 and two 52476
52018	1498	" " " " " Position Bracket
704j	1324	" " " " " " Screw
*52475	---	" " " " " Locating Plate
*52476	---	" " " " " " Rivet
40274	1499	" " Section
1367d	1325	" " " Screw

No.	Plate								
1253e	1325	Rotating Hook Set Screw
52388	1501	" " Shaft
56106	1323	" " " Bushing (back)
52045	1498	" " " " (") Packing (cotton)
1143e	1325	" " " " (") Set Screw
56107	1323	" " " " (front)
52045	1498	" " " " (") Packing (cotton)
1148e	1325	" " " " (") Set Screw
51897	1323	" " " Front Bearing Oil Cup
56013	1323	" " " Gear with two 1253e
52072	1313	" " " " Case (two pieces) with 121e and 50234d
50234d	1325	" " " " " Plug Screw
121e	1324	" " " " " Screw
1253e	1325	" " " " " Set Screw
52090	1499	" " Thread Guard
1053e	1325	" " " " Screw
52337	1316	Slack Thread Regulator
223e	1316	" " " " Set Screw
52046	1815	Spool Holder Base
389d	1515	" " " " Screw
204296	1815	" " " " Wire
200079h	1515	" " " " " Hinge Screw
52047	1815	Spool Holder, complete, Nos. 52046, 200079h and 204296
2102	1498	Tension Disc
1560e	1325	" Regulating Thumb Nut
32572	1498	" Releasing Disc
43911	1316	" " Lever
12398	1316	" " " " Hinge Pin
12329	1316	" " " " Spring
32571	1498	" " " " Pin
50304e	1498	" Screw Stud
50305e	1325	" " " " Set Screw
2403	1505	" Spring
52397	---	Tension, complete, Nos. 1560e, 2403, 32572, 32571, 50304e, 52083, 52394 and two 2102
52027	1498	Thread Guard (Side of Arm)
52454	1323	" Retainer
624e	1515	" " " Set Screw
52054	---	Thread Take-up, complete, Nos. 11204, 52025 and 52143

No.	Plate					
52021	1505	Thread Take-up Crank
52143		"	"	"	52021, with 775c and 21891	...
1037c	1515	"	"	"	Position Screw	...
1036c	1515	"	"	"	Set Screw	...
52022	1503	Thread Take-up Lever	with 52130
52023	1505	"	"	"	Hinge Pin	...
52024	1505	"	"	"	Link	...
11204	1505	"	"	"	" Hinge Pin	...
435c	1324	"	"	"	" " " Set Screw	...
52130	-	"	"	"	Thread Eyelet Bushing	...
52025	-	Thread Take-up Lever,	complete, Nos. 52022 to 52024
52394	1505	Thread Take-up Spring
52083	1498	"	"	"	Regulator with 50305c	...
418c	1324	"	"	"	" Set Screw	...
24144	-	Throat Plate,	large oblong needle hole
24143	7699	"	"	"	small oblong needle hole	...
691f	1324	"	"	"	Screw (2)	...
<i>NOTE: Throat Plate No. 24144 is sent with the machine unless otherwise specified on order.</i>						
*15104		Trade Mark
15105		"	"	"	Rivet	...
44212	-	Drip Pan	with four Wood Screws $\frac{1}{2}$ " No. 5

PARTS COMPLETE FOR No. 96K14 MACHINE

For Stitching Top Facings to Shee Lining, also for Side and Back Stays,
Drop Feed.

No.	Plate					
*52416	- -	Arm	with 15104, two each 15105 and 56015
<i>NOTE: Due to the accuracy required for Gear alignment, Arm cannot be shipped separately and can only be sent out as a unit, Arm and Bed assembled.</i>						
16532	1498	Arm Dowel Pin	(2)
24131	1498	"	Oil Tube	with 52045 for oiling 24036
52084	1323	"	"	"	"	52045 " " 24040
11119	1512	"	"	"	"	52045 " " 52022
12454	1498	"	"	"	"	52045 " " 52024
52148	-	"	"	"	"	...
52149		"	"	"	52148 with 52150	...
52150		"	"	"	Packing (braided cotton)	...
52045	1498	"	"	"	Packing (cotton wick)	...
116c	1324	"	"	"	Screw (back) (2)	...
854c	1515	"	"	"	(front) (2)	...
127047	1815	Arm Shaft	(horizontal)
127048		"	"	(")	127047 with 24036, 24052, 52060 and 127044	...
52059	1497	"	"	(")	Flanged Bushing (back)	...
52045	1498	"	"	(")	" " (") Oil Pad (cotton wick)	...
418c	1324	"	"	(")	" " (") Set Screw	...
52078	1497	"	"	(")	" " (front)	...
52045	1498	"	"	(")	" " (") Oil Pad (cotton wick)	...
435c	1324	"	"	(")	" " (") Set Screw	...
54897	1323	"	"	(")	Front Bearing Oil Cup	...
52060	1323	"	"	(")	Gear with two 1036c	...
52454	1313	"	"	(")	" Case (two pieces) with 121c	...
121c	1324	"	"	(")	" " Screw	...
1036c	1515	"	"	(")	" Set Screw	...
144c	1324	"	"	(")	" " Screw	...
52062	1497	"	"	"	(upright)	...
56099	1323	"	"	(")	Bushing (lower)	...
432c	1324	"	"	(")	" " (") Set Screw	...
56100	1323	"	"	(")	" " (upper)	...
4449c	1325	"	"	(")	" " (") Set Screw	...

From the library of: Diamond Needle Corp.

No.	Plate								
56013	1323	Arm Shaft (upright) Gear (lower) with two 1253c							
1253c	1325	" " (") " (") Set Screw							
56101	1323	" " (") " (upper) with two 1253c							
1253c	1325	" " (") " (") Set Screw							
56015	1323	" " (") Oil Tube (lower)							
56015	1323	" " (") " " (upper)							
12480	1313	" Side Cap							
219d	1324	" " " Screw							
12193	1313	" " Cover							
50053d	1325	" " " Thumb Screw							
12403	1498	" Spool Pin							
41591	1314	Arm Top Cover Tension Bracket with 460c							
24131	1498	" " " " " Oil Tube with 52045							
52045	1498	" " " " " " " Packing (cotton wick)							
180d	1515	" " " " " Screw							
12403	1498	" " " " " Spool Pin							
8879	1316	" " " " " " " Washer (cloth)							
2455	1498	" " " " " Disc							
41593	1316	" " " " " Spring							
41594	1316	" " " " " Stud							
460c	1324	" " " " " " Set Screw							
41595	1316	" " " " " Thread Guide							
41592	1314	Arm Top Cover Tension Bracket , complete, Nos. 12403, 24131, 41591, 41593 to 41595 and two 2455							
52005	1313	Balance Wheel (power) light rim, 2 $\frac{3}{16}$ " pulley, with two 448c							
52081	---	" " (stand) heavy rim, 2 $\frac{11}{16}$ " pulley, with two 448c							
52063	1497	" " Oil Cover							
210d	1324	" " " " Screw							
448c	1324	" " " " Set Screw							
*52383		Bed							
<i>NOTE: -Due to the accuracy required for Gear alignment, Bed cannot be supplied separately and can only be sent out as a unit, Arm and Bed assembled.</i>									
52417	---	Bed Slide							
52418	1813	" " complete, Nos. 52417, 52464 and two 665c							
52464	1813	" " Spring							
665c	1515	" " " Screw							
120063	7703	Edge Guide							
50190b	1325	" " Thumb Screw							
52051	---	Face Plate							
190d	1324	" " Screw							

No.	Plate								
52053	1323	Face Plate Thread Guard (lower)							
226d	1324	" " " " (") Screw							
56086	1323	" " " " (upper)							
226d	1324	" " " " (") Screw							
50190d	1325	" " Thumb Screw							
52052	1313	Face Plate , complete, Nos. 52051, 52053, 56086 and two 226d							
52452	1313	Feed Bar							
313c	1324	" " Screw Centre (2)							
1519c	1325	" " " " Nut (2)							
3033	1498	" Connecting Link							
375c	1324	" " " Hinge Screw							
1518c	1325	" " " " " Nut							
52073	1498	" " " " Stud							
50083c	1325	" " " " " Set Screw							
12436	7699	Feed Dog							
50117c	1325	" " Screw (2)							
127014	1813	Feed and Feed Lifting Eccentric with 448c and 1299c							
1299c	1515	" " " " " Position Screw							
448c	1324	" " " " " Set Screw							
24036	1497	" " " " " Sleeve							
20284	1501	" Forked Connection							
375c	1324	" " " Hinge Screw							
1518c	1325	" " " " " Nut							
52384	1500	Feed Lifting Rock Shaft							
12430	1497	" " " " Connecting Rod (steel) with 12204 and two 966e							
*12204	---	" " " " " " Cap							
966e	1325	" " " " " " Screw							
375c	1324	" " " " " Hinge Screw							
1518c	1325	" " " " " " Nut							
12376	1498	" " " " Crank with 157c and 1813							
157c	1324	" " " " " Clamping Screw							
1813	1498	" " " " " Roller and Stud							
50191c	1325	" " " " " Screw Centre (2)							
1513j	1317	" " " " " Nut (2)							
52385		Feed Lifting Rock Shaft , complete, Nos. 12376 and 52384							
52074	1323	Feed Regulator with 50083c							
1428c	1325	" " Hinge Screw							
818d	1325	" " Thumb Screw							
52359	1512	" " " " Stop							

No.	Plate						
52386	1500	Feed Rock Shaft
29633	1498	" " "	Crank with 157c
157c	1324	" " "	" " Clamping Screw
50191c	1325	" " "	" " Screw Centre (2)
1513j	1317	" " "	" " " Nut (2)
52387	-	Feed Rock Shaft, complete, Nos. 29633 and 52386
52455	1505	Needle Bar (hollow)
52305	1504	" " "	Bushing (lower) with 29532
1133e	1515	" " "	" (") Set Screw
52014	1505	" " "	" (upper)
1133e	1515	" " "	" (") Set Screw
24040	1505	" " "	Connecting Link with 794c
24894	-	" " "	" " 24040 with 24041
794c	1515	" " "	" " Adjusting Screw
775e	1515	" " "	" " Cap Screw
24041	1505	" " "	" " Stud with 207c
207c	558	" " "	" " Clamping Screw
24052	1505	" " "	Crank with 858c, 1036c, 1037c and 1065c
1065c	1325	" " "	" " Position Screw
858c	1325	" " "	" " Set Screw
29532	1498	" " "	Oil Cup
52415	1813	" " "	Thread Guard
229d	1515	" " "	" " Screw
52307	1505	" " "	Clamp with 808f
808f	1515	" " "	" " Screw
12391	1497	Presser Bar (hollow)
52338	1316	" " "	Guide Bracket with 223c and 453c
453c	1316	" " "	" " Set Screw
52016	1316	" " "	Lifter
689c	1316	" " "	" " Screw
1520r	1317	" " "	" " " Nut
12327	1316	" " "	Lifting and Releasing Lever Bracket
11167	1497	" " "	Spring
11170	1316	" " "	" " Washer
688j	1324	Pressure Regulating Thumb Screw
51841	1812	Roller, 1 1/4" diam., coarse, for 51842
51842	-	" (ball-bearing), Nos. 1528j, 1766e, 50553c, 51841 and twenty four 16232
1903	7701	" 1 1/4" diam., coarse, with 652d and 1528d, for 52414
51824	1812	" 3/8" diam., coarse, with 388d and 1550h, for 52457
1886	1812	" 1 1/4" diam., coarse, with 386d and 1528d, for 52458
1986	1812	" 3/8" diam., fine, with 652d and 1528d, for 52461

No.	Plate						
52453	7701	Roller Arm for 52414 and 52458
52456	1812	" " " 52457
52460	1812	" " " 52461
127041	1812	" " " 127042
440f	7701	" " Adjusting Screw
1547j	1325	" " " " Nut
4282	7701	" " Bracket for 52414 and 52458
2206	7701	" " " " 52457 and 52461
46037	-	" " " " 127042
316f	1324	" " " " Screw Centre
1547j	1325	" " " " " Nut
2205	7701	" " Lock Spring
176d	559	" " " " " Screw
1549j	7701	" " " " " Nut
16232	-	" Ball 3/8" diam.
1766e	1812	" " Retaining Nut
1528j	7701	" " " " Lock Nut
52414	7701	Roller Presser, complete, 1 1/4" coarse roller, Nos. 176d, 440f, 1549j, 1903, 2205, 4282, 52453, two 316f and three 1547j
52457	-	Roller Presser, complete, 3/8" coarse roller, Nos. 176d, 440f, 1549j, 2205, 2206, 51824, 52456, two 316f and three 1547j
52458	1812	Roller Presser, complete, 1 1/4" coarse roller, Nos. 176d, 440f, 1549j, 1886, 2205, 4282, 52453, two 316f and three 1547j
52461	1812	Roller Presser, complete, 3/8" fine roller, Nos. 176d, 440f, 1549j, 1986, 2205, 2206, 52460, two 316f and three 1547j
127042	1812	Roller Presser (ball bearing), complete, 1 1/4" coarse roller, Nos. 176d, 440f, 1549j, 2205, 46037, 51842, 127041, two 316f and three 1547j
490d	1324	Roller Presser Screw
386d	7701	" " Screw for 1886
388d	1515	" " " " 51824
652d	7701	" " " " 1903 and 1986
50553c	1515	" " " " 51842
1528d	7701	" " " Nut for 1886, 1903 and 1986
1550h	1688	" " " " 51824
52421	1499	Rotating Hook
52423	-	" " 52421 with 52090 and four 1053c
52089	1499	" " 52423 with 40274, three each 1253c and 1367d
52478	-	" " 52089 with 52474
40264	1499	" " Bobbin

No.	Plate						
52472	1499	Rotating Hook Bobbin Case
52481	---	"	"	"	"	52472 with 5911, 1380d and 40394	...
40392	1499	"	"	"	"	Latch	...
40409	1499	"	"	"	"	Lever	...
2974	1499	"	"	"	"	Fulcrum Pin	...
2975	1499	"	"	"	"	Spring	...
592e	1324	"	"	"	"	Stop Screw	...
40393	---	"	"	"	"	Hinge, Nos. 2974, 40392 and 40409	...
591f	1324	"	"	"	"	Tension Regulating Screw	...
40394	1499	"	"	"	"	Spring	...
1380d	1325	"	"	"	"	Screw	...
52473	---	"	"	"	"	complete, Nos. 592e, 2975, 4393 and 52481	...
52474	---	"	"	"	"	52473 with 52477	...
52477	1499	"	"	"	"	Holder with 52475 and two 52476	...
52018	1498	"	"	"	"	Position Bracket	...
704j	1324	"	"	"	"	Screw	...
*52475	---	"	"	"	"	Locating Plate	...
*52476	---	"	"	"	"	Rivet	...
40274	1499	"	"	"	"	Section	...
1367d	1325	"	"	"	"	Screw	...
1253c	1325	"	"	"	"	Set Screw	...
52388	1501	"	"	"	"	Shaft	...
56106	1323	"	"	"	"	Bushing (back)	...
52045	1498	"	"	"	"	() Packing (cotton)	...
1143c	1325	"	"	"	"	() Set Screw	...
56107	1323	"	"	"	"	(front)	...
52045	1498	"	"	"	"	() Packing (cotton)	...
1148c	1325	"	"	"	"	() Set Screw	...
54897	1323	"	"	"	"	Front Bearing Oil Cup	...
56013	1323	"	"	"	"	Gear with two 1253c	...
52072	1313	"	"	"	"	Case (two pieces) with 121e and 50234d	...
50234d	1325	"	"	"	"	Plug Screw	...
121e	1324	"	"	"	"	Screw	...
1253c	1325	"	"	"	"	Set Screw	...
52090	1499	"	"	"	"	Thread Guard	...
1053c	1325	"	"	"	"	Screw	...
52337	1316	Slack Thread Regulator
223c	1316	"	"	"	"	Set Screw	...
52046	1815	Spool Holder Base
389d	1515	"	"	"	"	Screw	...
204296	1815	"	"	"	"	Wire	...
200079h	1515	"	"	"	"	Hinge Screw	...
52047	1815	Spool Holder, complete, Nos. 52046, 200079h and 204296

No.	Plate						
120067	7704	Strip Guide
120068	7704	"	"	(adjustable) with 2911
120069	7704	"	"	() Bar
120070	7704	"	"	() " Plate
50169d	7704	"	"	() " " Screw
50169d	7704	"	"	() " " Screw
2911	7704	"	"	() Thumb Screw
120071	7704	Strip Guide (adjustable), complete, Nos. 120067 to 120070 and six 50169d
1423d	7704	Strip Guide Screw
2102	1498	Tension Disc
1560c	1325	"	"	Regulating Thumb Nut
32572	1498	"	"	Releasing Disc
43944	1316	"	"	Lever
12398	1316	"	"	" Hinge Pin
12329	1316	"	"	" Spring
32571	1498	"	"	Pin
50304c	1498	"	"	Screw Stud
50305c	1325	"	"	" Set Screw
2103	1505	"	"	Spring
52397	---	Tension, complete, Nos. 1560c, 2103, 32572, 32571, 50304c, 52083, 52394 and two 2102
52027	1498	Thread Guard (Side of Arm)
52451	1323	"	"	Retainer
624c	1515	"	"	Set Screw
52054	---	Thread Take-up, complete, Nos. 11204, 52025 and 52143
52021	1505	Thread Take-up Crank
52143	---	"	"	" 52021, with 775c and 24894
1037c	1515	"	"	" Position Screw
1036c	1515	"	"	" Set Screw
52022	1503	Thread Take-up Lever with 52130
52023	1505	"	"	" Hinge Pin
52024	1505	"	"	" Link
11204	1505	"	"	" " Hinge Pin
135c	1324	"	"	" " " Set Screw
52130	---	"	"	" Thread Eyelet Bushing
52025	---	Thread Take-up Lever, complete, Nos. 52022 to 52024

No.	Plate						
52394	1505	Thread Take-up Spring
52083	1498	" " " "	Regulator with 50305c
448c	1324	" " " "	" " Set Screw
12438	7699	Throat Plate , large oblong needle hole
20192	—	" " small " " "
691f	1324	" " Screw (2)
NOTE.—Throat Plate No. 12438 is sent with this machine unless otherwise specified on order.							
*15404	—	Trade Mark
15405	—	" " Rivet
44212	—	Drip Pan with four Wood Screws $\frac{1}{2}$ " No. 5

PARTS COMPLETE FOR No. 96K16 MACHINE

For work on overalls, heavy overcoats, khaki and other heavy materials.
Has reversible feed mechanism. Lift of Presser Foot $\frac{7}{16}$ ".

No.	Plate						
*52432	—	Arm with 15404, two each 15405 and 56015
NOTE. Due to the accuracy required for Gear alignment, Arm cannot be supplied separately and can only be sent out as a unit, Arm and Bed assembled.							
16532	1498	Arm Dowel Pin (2)
24131	1498	" Oil Tube with 52045 for oiling 24036
52084	1323	" " " " 52045 " " 24040
11119	1512	" " " " 52045 " " 52022
12454	1498	" " " " 52045 " " 52024
52148	—	" " " "
52149	—	" " " 52148 with 52150
52150	—	" " " Packing (braided cotton)
52045	1498	" " " Packing (cotton wick)
116c	1324	" Screw (back) (2)
854e	1515	" " (front) (2)
52382	1500	Arm Shaft (horizontal)
127063	—	" " (") 52382 with 24036, 52060, 52436 and 127018
52059	1497	" " (") Flanged Bushing (back)
52045	1498	" " (") " " (") Oil Pad (cotton wick)
448c	1324	" " (") " " (") Set Screw
52078	1497	" " (") " " (front)
52045	1498	" " (") " " (") Oil Pad (cotton wick)
435c	1324	" " (") " " (") Set Screw
54897	1323	" " (") Front Bearing Oil Cup
52060	1323	" " (") Gear with two 1036c
52151	1313	" " (") " Case (two pieces) with 121e
121e	1324	" " (") " " Screw
1036c	1515	" " (") " Set Screw
144d	1324	" " (") Screw
52062	1497	" " (upright)
56099	1323	" " (") Bushing (lower)
432c	1324	" " (") " (") Set Screw
56100	1323	" " (") " (upper)
1149c	1325	" " (") " (") Set Screw

From the library of: Diamond Needle Corp

No.	Plate	
56013	1323	Arm Shaft (upright) Gear (lower) with two 1253c ...
1253c	1325	" " (") " (") Set Screw ...
56101	1323	" " (") " (upper) with two 1253c ...
1253c	1325	" " (") " (") Set Screw ...
56015	1323	" " (") Oil Tube (lower) ...
56015	1323	" " (") " " (upper) ...
12480	1313	" Side Cap ...
219d	1324	" " " Screw ...
12193	1313	" " Cover ...
286d	1324	" " " Thumb Screw ...
12403	1498	" Spool Pin ...
41591	1314	Arm Top Cover Tension Bracket with 460c ...
24131	1498	" " " " " Oil Tube with 52045 ...
52045	1498	" " " " " " " Packing (cotton wick) ...
180d	1515	" " " " " " Screw ...
12403	1498	" " " " " " Spool Pin ...
8879	1316	" " " " " " Washer (cloth) ...
2455	1498	" " " " " Disc ...
41593	1316	" " " " " Spring ...
41594	1316	" " " " " Stud ...
460c	1324	" " " " " " Set Screw ...
41595	1316	" " " " " Thread Guide ...
41592	1314	Arm Top Cover Tension Bracket , complete, Nos. 12403, 24131, 41591, 41593 to 41595 and two 2455 ...
52005	1313	Balance Wheel (power), light rim, 2 $\frac{3}{16}$ " pulley, with two 448c ...
52063	1497	" " Oil Cover ...
210d	1324	" " " " Screw ...
448c	1324	" " Set Screw ...
*52402	—	Bed ...
<i>NOTE.--Due to the accuracy required for Gear alignment, Bed cannot be supplied separately and can only be sent out as a unit, Arm and Bed assembled.</i>		
12431	—	Bed Slide ...
12432	1313	" " complete, Nos. 4307, 12431 and two 725c ...
4307	1497	" " Spring ...
725c	1324	" " " Screw ...
52051	—	Face Plate ...
190d	1324	" " Screw ...
52053	1323	" " Thread Guard (lower) ...
226d	1324	" " " " (") Screw ...
56086	1323	" " " " (upper) ...
226d	1324	" " " " (") Screw ...
50190d	1325	" " Thumb Screw ...
52052	1313	Face Plate , complete, Nos. 52051, 52053, 56086 and two 226d ...

No.	Plate	
52452	1313	Feed Bar ...
313c	1324	" " Screw Centre (2) ...
1519e	1325	" " " " Nut (2) ...
3033	1498	" Connecting Link ...
375c	1324	" " " Hinge Screw ...
1518e	1325	" " " " " Nut ...
52073	1498	" " " " Stud ...
50083c	1325	" " " " " Set Screw ...
120001	1502	Feed Dog (spiked teeth) ...
50117c	1325	" " Screw (2) ...
127018	1503	Feed and Feed Lifting Eccentric with two 448c ...
448c	1324	" " " " " Set Screw ...
24036	1497	" " " " " Sleeve ...
52407	1501	" Forked Connection ...
375c	1324	" " " Hinge Screw ...
1518e	1325	" " " " " Nut ...
52384	1500	Feed Lifting Rock Shaft ...
12430	1497	" " " " Connecting Rod (steel) with 12204 and two 966e ...
*12204	—	" " " " " " Cap ...
966e	1325	" " " " " " Screw ...
375c	1324	" " " " " " Hinge Screw ...
1518e	1325	" " " " " " Nut ...
52434	1502	" " " " Crank with 157c and 1813 ...
157c	1324	" " " " " Clamping Screw ...
1813	1498	" " " " " Roller and Stud ...
50191c	1325	" " " " " Screw Centre (2) ...
1513j	1317	" " " " " Nut (2) ...
52433	—	Feed Lifting Rock Shaft , complete, Nos. 52384 and 52434 ...
50338e	1515	Feed Regulating Screw Stud ...
56032	1502	" " " " Head with 56033 ...
50193j	1515	" " " " " Cap Screw ...
56033	1504	" " " " " Stop Pin ...
56034	1502	" " " " " Lock Pin ...
56035	1502	" " " " " Spring ...
52408	1502	Feed Regulator with 50083c ...
1128e	1325	" " Hinge Screw ...
52409	1502	Feed Reverse Lever with 158e and 51846 ...
50339d	1515	" " " Hinge Screw ...
158e	1324	" " " " Clamping Screw ...
52410	1502	" " " " Friction Washer ...
51846	1515	" " " " Roller and Stud ...

From the library of: Diamond Needle Corp.

No.	Plate	
52386	1500	Feed Rock Shaft
29633	1498	" " " Crank with 157c
157c	1324	" " " " Clamping Screw
50191c	1325	" " " " Screw Centre (2)
1513j	1317	" " " " " Nut (2)
52387	—	Feed Rock Shaft , complete, Nos. 29633 and 52386
25866	1512	Guide
50190b	1325	" Thumb Screw
52455	1505	Needle Bar (hollow)
52305	1504	" " Bushing (lower) with 29532
1133e	1515	" " " (") Set Screw
52448	1503	" " " (upper)
1133e	1515	" " " (") Set Screw
24040	1505	" " Connecting Link with 794e
21894	—	" " " " 24040 with 24041
794e	1515	" " " " Adjusting Screw
775e	1515	" " " " Cap Screw
24041	1505	" " " " Stud with 207e
207e	558	" " " " Clamping Screw
52436	1503	" " Crank with 858c, 1036c, 1037c and 1065c
1065c	1325	" " " " Position Screw
858c	1325	" " " " Set Screw
29532	1498	" " Oil Cup
52306	1505	" " Thread Guard
229d	1515	" " " " Screw
52307	1505	" Clamp with 808f
808f	1515	" " Screw
12391	1497	Presser Bar (hollow)
52338	1316	" " Guide Bracket with 223c and 453c
453c	1316	" " " " Set Screw
5990	1503	" " Lifter
689c	1316	" " " " Screw
1520r	1317	" " " " Nut
12327	1316	" " Lifting and Releasing Lever Bracket
11167	1497	" " Spring
11170	1316	" " " " Washer
7298	1498	Presser Foot Hinge Pin
52437	—	" " Plate
52438	—	" " Shank
26231	1498	" " Spring
52439	1502	Presser Foot (spring, hinged), complete, Nos. 7298, 26231, 52437 and 52438
190d	1324	" " Screw

No.	Plate	
688j	1324	Pressure Regulating Thumb Screw
52121	1499	Rotating Hook
52123	—	" " 52121 with 52090 and four 1053c
52440	1499	" " 52123 " 52444, three each 1253c and 1367d
52480	—	" " 52440 " 52474
40264	1499	" " Bobbin
52472	1499	" " " Case
52481	—	" " " " 52472 with 591f, 1380d and 40394
40392	1499	" " " " Latch
40409	1499	" " " " " Lever
2974	1499	" " " " " Fulcrum Pin
2975	1499	" " " " " Spring
592e	1324	" " " " " Stop Screw
40393	—	" " " " " Hinge, Nos. 2974, 40392 and 40409
591f	1324	" " " " " Tension Regulating Screw
40394	1499	" " " " " Spring
1380d	1325	" " " " " Screw
52473	—	" " " " " complete, Nos. 592e, 2975, 40393 and 52481
52474	—	" " " " " 52473 with 52477
52477	1499	" " " " " Holder with 52475 and two 52476
52018	1498	" " " " " Position Bracket
704j	1324	" " " " " " " Screw
*52475	—	" " " " " Locating Plate
*52476	—	" " " " " " " Rivet
52444	1499	" " Section
1367d	1325	" " " " Screw
1253c	1325	" " Set Screw
52388	1501	" " Shaft
56106	1323	" " " " Bushing (back)
52045	1498	" " " " (") Packing (cotton)
1143c	1325	" " " " (") Set Screw
56107	1323	" " " " (front)
52045	1498	" " " " (") Packing (cotton)
1148c	1325	" " " " (") Set Screw
54897	1323	" " " " Front Bearing Oil Cup
56013	1323	" " " " Gear with two 1253c
52072	1313	" " " " Case (two pieces) with 121e and 50234d
50234d	1325	" " " " " Plug Screw
121e	1324	" " " " " Screw
1253c	1325	" " " " " Set Screw
52090	1499	" " Thread Guard
1053e	1325	" " " " " Screw
52337	1316	Slack Thread Regulator
223c	1316	" " " " Set Screw

From the library of: Dialectal and Needle Club

No.	Plate						
2102	1498	Tension Disc
1560c	1325	"	Regulating Thumb Nut
32572	1498	"	Releasing Disc
52445	1503	"	"	Lever
12398	1316	"	"	"	Hinge Pin
12329	1316	"	"	"	Spring
32574	1498	"	"	"	Pin
50304c	1498	"	Screw Stud
50305c	1325	"	"	"	Set Screw
2103	1505	"	Spring
52397	—	Tension , complete, Nos. 1560c, 2103, 32572, 32574, 50304c, 52083, 52394 and two 2102
52454	1323	Thread Retainer
624c	1515	"	"	Set Screw
52447	—	Thread Take-up , complete, Nos. 11204, 52025 and 127065
52446	1502	Thread Take-up Crank
127065	—	"	"	"	52446 with 775c and 24894
1037c	1515	"	"	"	Position Screw
1036c	1515	"	"	"	Set Screw
52022	1503	Thread Take-up Lever with 52130
52023	1505	"	"	"	Hinge Pin
52024	1505	"	"	"	Link
11204	1505	"	"	"	"	Hinge Pin	...
435c	1324	"	"	"	"	Set Screw	...
52130	—	"	"	"	Thread Eyelet Bushing
52025	—	Thread Take-up Lever , complete, Nos. 52022 to 52024
52394	1505	Thread Take-up Spring
52083	1498	"	"	"	Regulator with 50305c
448c	1324	"	"	"	Set Screw
26605	1502	Throat Plate , large needle hole, for 120001
26606	—	"	"	small	"	"	120001
691f	1324	"	"	"	Screw (2)
<i>NOTE.—No. 26605 is sent with this machine unless otherwise specified on order.</i>							
*15404	—	Trade Mark
15405	—	"	"	Rivet
44212	—	Drip Pan with four Wood Screws $\frac{1}{2}$ " No. 5

No. 96K3 MACHINE (Obsolete)

For Cloaks, Clothing and other Work in Cloth. Drop Feed.

This Machine is the same as 96K10 with the following exceptions:—

No.	Plate						
*52392	—	Arm
52302	1500	"	Shaft
43921	1504	"	"	Flanged Bushing (back)
448c	1324	"	"	"	"	(") Set Screw	...
52078	1497	"	"	"	"	(front)	...
435c	1324	"	"	"	"	(") Set Screw	...
144d	1324	"	"	Screw
24297	1501	Balance Wheel Oil Cover
*52303	—	Bed
44136	1510	Feed Dog
20283	1505	"	and Feed Lifting Eccentric with 446c
446c	1324	"	"	"	"	Set Screw	...
44125	1500	Feed Lifting Rock Shaft
307c	1317	"	"	"	"	Screw Centre (2)	...
44126	—	Feed Lifting Rock Shaft , complete, Nos. 12376 and 44125
3039	1504	Feed Regulator
12379	1500	Feed Rock Shaft
20333	—	Feed Rock Shaft , complete, Nos. 12379 and 29633
25878	1319	Guide
52304	1504	Needle Bar (hollow)
29534	1511	Presser Foot
40258	1497	Rotating Hook Belt
52037	1497	"	"	"	Guard
181d	1515	"	"	"	"	Screw (2)	...
52048	1504	"	"	"	Pulley (lower, steel) with two 1147c and sixteen 52049
1147c	1515	"	"	"	"	(lower) Set Screw	...
52049	1504	"	"	"	"	(") Stud	...
52050	1504	"	"	"	"	(upper) with 1362c and thirty 40263	...
1362c	1515	"	"	"	"	(") Set Screw	...
40263	1504	"	"	"	"	(") Stud	...
52308	1501	"	"	Shaft
52044	1504	"	"	"	Bushing (back)
447c	1515	"	"	"	"	(") Set Screw	...
52039	1504	"	"	"	"	(front)	...
50145c	1515	"	"	"	"	(") Position Screw	...
44137	1510	Throat Plate , large needle hole, for 14136

IRON BASE

No.	Plate	
19219	1512	Bed Frame Cushion (leather)
158c	1324	" " " Screw
19220	1512	" " " Spring
19226	1512	" " Hinge Connection
19398	---	" " " " 19226 with 211f and 19397
19397	1512	" " " " Cap
211f	1515	" " " " " Screw
16555	1512	" " " " Plate
14010	1512	" " " " Rivet
20067	1513	Bed Frame with two each 16555, 19398, four each 19219, 19220, six each 14010, Wood Screws 1 $\frac{1}{4}$ " No. 12, and eight 158c

ACCESSORIES

No.	Plate	
40264	1499	Bobbin (5)
12361	1512	Machine Hinge Connection (2)
36569	1319	Oiler with 36571
36570		" 36569, filled with Oil
36571	1319	" Spout, 1 $\frac{3}{4}$ " long
25537	1319	Screw Driver (large)
120378	1319	" " (small)

BOBBIN WINDER

(Swinging Automatic, Left Hand) for 40264.

No.	Plate	
41913	1311	Bracket with 457c
41583	1311	Frame with 457c
34105	1311	" Hinge Pin
457c	1324	" " " Set Screw
41914	1311	" Spring
41585	1311	Pulley with 171d
171d	1324	" Set Screw
41586	1311	Spindle
41587	1311	Stop Latch
42614	1311	" " Hinge Stud
457c	1324	" " " " Set Screw
7958	1198	" " Stop Pin
41588	1311	" " Tripping Arm with 185h
185h	1324	" " " " Clamping Screw
60845	1314	Bobbin Winder, Nos. 7958, 34105, 41583, 41585, 41588, 41913, 41914 and 42614
41915	-	Bobbin Winder, complete, Nos. 880c, 25446 and 60845
880c	1325	Bobbin Winder Screw
25446	1323	" " " Washer

From the library of: Diamond Needle Corp

No.	Plate	
85683	558	Presser Foot
85324	—	Tape Tension Pin (bent)
85323	—	" " " (straight)
85340	—	" " Plate
85339	558	" " complete, Nos. 85324, 85340 and four 85323
207d	558	" " Screw
85325	186	" " " Washer
85684	558	Throat Plate
85685	558	Binder , complete, Nos. SS50d, 207d, 85335, 85339, 85682 to 85684 and two 85325

BINDER $\frac{1}{2}$ ", for General Work.

No.	Plate	
85686	558	Feed Dog
85320	558	Folder
SS50d	186	" Screw
85325	186	" " Washer
85687	—	Presser Foot Bracket
85688	—	" " " Hinge Pin
85689	—	" " Sole
85690	558	" " (hinged), complete, Nos. 85687 to 85689
85324	—	Tape Tension Pin (bent)
85323	—	" " " (straight)
85322	—	" " Plate
85321	557	" " complete, Nos. 85322, 85324 and eight 85323
SS50d	186	" " Screw
85325	186	" " " Washer
85691	558	Throat Plate
85692	558	Binder , complete, Nos. 85320, 85321, 85686, 85690, 85691, two each SS50d and 85325

BINDER $\frac{1}{2}$ ", for Stay Work.

No.	Plate	
85693	557	Feed Dog
85614	—	Folder
SS65d	1324	" Screw
85694	—	Presser Foot Bracket
85616	—	" " " Hinge Pin
85695	—	" " Sole
85696	557	" " (hinged), complete, Nos. 85616, 85694 and 85695
85324	—	Tape Tension Pin (bent)
85323	—	" " " (straight)
85322	—	" " Plate
85321	557	" " complete, Nos. 85322, 85324 and eight 85323
SS50d	186	" " Screw
85325	186	" " " Washer
85697	557	Throat Plate
85698	557	Binder , complete, Nos. SS50d, SS65d, 85321, 85325, 85614, 85693, 85696 and 85697

BINDER $\frac{1}{2}$ ", for Stay Work.

No.	Plate	
85699	186	Base
85597	186	Binder
85324	—	Tape Tension Pin (bent)
85323	—	" " " (straight)
85700	186	Binder and Tension only, complete, Nos. 85324, 85597, 85699 and nine 85323
SS50d	186	" Screw
85325	186	" " Washer
85701	186	Feed Dog
85702	—	Presser Foot Bracket
85703	—	" " " Hinge Pin
85704	—	" " Sole
85705	186	" " (hinged), complete, Nos. 85702 to 85704
85706	186	Throat Plate
85707	186	Binder , complete, Nos. SS50d, 85325, 85700, 85701, 85705 and 85706

BINDER, FOLDER and TENSION $\frac{3}{16}$ " for Stay Work.

No.	Plate								
85711	187	Base
85603	187	Binder
85604	187	Folder
207d	558	"	Screw
85325	186	"	" Washer
85605	187	Tape Guide
85606	187	"	" Bracket
207d	558	"	" Screw
85325	186	"	" Washer
207d	558	"	" Screw
85325	186	"	" Washer
85607	...	"	Tension Pin
85712	187	Binder, Folder and Tension	only, complete, Nos. 85603 to 85606, 85711, three each 207d, 85325 and seven 85607
SS50d	186	Binder Screw
85325	186	"	" Washer
85701	186	Feed Dog
85702	...	Presser Foot Bracket
85703	...	"	" Hinge Pin
85704	...	"	" Sole
85705	186	"	" (hinged), complete, Nos. 85702 to 85704
85706	186	Throat Plate
85713	187	Binder, complete, Nos. SS50d, 85325, 85701, 85705, 85706 and 85712

BRAIDER FOOT (Long Shank, Adjustable)

No.	Plate								
86179	...	Braider Foot
86176	...	"	" Guide (Wire)
SS182d	1324	"	" Screw
86180	560	Braider Foot, complete, Nos. 86179, two each SS182d and 86176
86178	560	Braider Foot

CORDERS

When ordering state Size or No. of Cords to the inch.

CORDER (Adjustable), for Fine Cording.

No.	Plate								
85842	560	Base
85843	560	Finger Arm
85844	560	"	" Adjustable Bracket
85845	...	"	" Block
393c	1324	"	" Screw
316c	1324	"	" Centre Screw
1547d	1325	"	" Nut
NN4d	1325	"	" Thumb Nut
286d	1324	"	" Set Screw
85846	560	Corder	only, complete, Nos. NN4d, 286d, 393c, 85842 to 85845, two each 316c and 1547d
85864	560	Feed Dog
85865	560	Presser Foot
85866	560	Throat Plate
85867	560	Corder, complete, Nos. SS50d, 85846 and 85864 to 85866
SS50d	186	Corder Screw (to fasten to machine)

From the library of: Diamond Needle Corp

CORDER (Bow), for Top Cording.

No.	Plate								
85868	201	Corder Bow
85869	201	Presser Foot
759d	1324	"	" Thumb Screw
85870	201	Corder (Bow), complete, Nos. 759d, 85868 and 85869

CORDER, for Top Cording.

No.	Plate								
85783	—	Base
85871	—	Guide Finger	with 85414, 85872 and two 85416
SS28b	1324	"	"	Adjusting Screw
85414	—	"	"	Eyelet
85413	—	"	"	Hinge Pin
879d	1325	"	"	Locking Thumb Screw
85872	—	"	"	Tip
85416	—	"	"	" Rivet
85873	1320	Corder	only, complete, Nos. SS28b, 879d, 85413, 85783 and 85871
85874	1320	Presser Foot
85875	1320	Corder ,	complete, Nos. SS44d, 85412, 85873 and 85874
SS44d	1320	"	Screw (to fasten to machine)
85412	1320	"	" Washer

CORDER GUIDE (Adjustable)

No.	Plate								
85382	—	Extension Guide
228d	1324	"	"	Screw
85876	—	Presser Foot
85877	560	Corder Guide ,	complete, Nos. 228d, 85382 and 85876
85881	562	Cording and Hemming Foot
86182	562	Cording Foot	(grooved on right side)

CRIMPING SET.

No.	Plate								
85882	557	Feed Dog
85883	—	Presser Foot
85391	—	"	"	Spring
219d	1324	"	"	" Screw
85884	557	"	"	complete, Nos. 219d, 85391 and 85883
85885	557	Throat Plate
85886	557	Crimping Set ,	complete, Nos. 85882, 85884 and 85885

FELLING FEET.

No.	Plate								
85896	201	Felling Foot ,	$\frac{3}{16}$ " Fell
85897	562	"	" (steel) $\frac{3}{16}$ " Fell

FINGER GUARD

No.	Plate								
86417	1510	Finger Guard
102d	1324	"	"	Binding Screw
86478	1510	"	"	Bracket with 207f
207f	558	"	"	" Screw
86479	1510	Finger Guard ,	complete, Nos. 102d, 86417 and 86478

GATHERING FEET.

No.	Plate								
85955	562	Gathering Foot
86193	560	"	"	(slotted)

HEMMERS.

No.	Plate								
86005	88	Hemmer ,	$\frac{3}{16}$ " to $\frac{7}{8}$ ", in grades of $\frac{1}{16}$ "
86008	88	"	1" to 1 $\frac{1}{4}$ ", in grades of $\frac{1}{8}$ "
86010	88	"	1 $\frac{3}{8}$ " and 1 $\frac{1}{2}$ "
85447	88	"	Base with SS54e
SS54e	1324	"	" Stud Screw
NN40d	88	"	" " " " Thumb Nut
85448	88	"	" " " " " " Washer
85446	—	Hemmer Base ,	complete, Nos. NN40d, 85447 and 85448

Flat Sole.

No.	Plate								
86537	—	$\frac{1}{16}$ "
86538	—	$\frac{3}{32}$ "
86539	1931	$\frac{1}{8}$ "
86540	—	$\frac{5}{32}$ "
86541	—	$\frac{3}{16}$ "
86542	—	$\frac{7}{32}$ "
86543	—	$\frac{1}{4}$ "

Flat Sole, with Groove.

No.	Plate								
86544	---	$\frac{1}{16}$ "
86545	---	$\frac{3}{32}$ "
86546	1931	$\frac{1}{8}$ "
86547	---	$\frac{5}{32}$ "
86548	---	$\frac{3}{16}$ "
86549	---	$\frac{7}{32}$ "
86550	---	$\frac{1}{4}$ "

86025 562 **Hemmer Foot**, $\frac{1}{16}$ " to $\frac{3}{32}$ " Hem, in grades of $\frac{1}{32}$ " ...

PRESSER FOOT.

No.	Plate								
86188	958		Presser Foot (narrow) for narrow tucking

QUILTER.

No.	Plate								
86041	958		Clamp with 207d
	207d	558	" Screw
86042	958		Rod
86043	958		Quilter , complete, Nos. 86041 and 86042

TUCKERS (Long Arm).

No.	Plate								
36387	1315		Space Guide
35510	1315		" " Base with 35512, 35514 and two 1426e
	402d	1317	" " " Screw
35511	1317		" " Indicator
35512	1317		" " Pin
35513	1317		" " Stop (left)
35514	1317		" " " (") Guide Pin
	1426e	1317	" " " (") Screw Stud
	1657d	1317	" " " (") Thumb Nut
17718	1317		" " " (") " " Washer
35515	1317		" " " (right)
	1426e	1317	" " " (") Screw Stud
	1657d	1317	" " " (") Thumb Nut
17718	1317		" " " (") " " Washer
	287d	1317	" " Thumb Screw
36388	---		Space Guide , complete, Nos. 287d, 35510, 35511, 35513, 35515, 36387, two each 1657d and 17718

No.	Plate								
35517	1309		Tuck Guide Arm
	1177d	1317	" " " Screw
35518	1309		" " Base
50134e	1317		" " " Screw Stud
36389	1309		" " Bracket
	307c	1317	" " " Screw Centre
	1513j	1317	" " " " " Nut
36390	1317		" " " Spring
36391	1315		" " " " Plate
	9d	1317	" " " " Screw
	123c	1317	" " " Stop Screw
	1520r	1317	" " " " " Nut
36392	1309		" " Frame
36393	1317		" " " Spring
	1510e	1317	" " " " Nut
35524	1317		" " " " Washer
	803c	1317	" " " Stop Screw
	1520r	1317	" " " " " Nut
35511	1317		" " Indicator
35525	1309		" " Plate
	1415f	1317	" " Screw

36394 **Tuck Guide**, complete, Nos. 9d, 123c, 803c, 1510e, 35511, 35517, 35518, 35524, 35525, 36389 to 36393, 50134e. Two each 307c, 1415f, 1477d, 1513j, 1520r and three Wood Screws 1 $\frac{1}{4}$ " No. 10

36395 **Tucker** (long arm), complete, Nos. 35528, 36388, 36394 and two 402d ...

52031 967 **Feed Dog** for shirt work ...

35528 1510 **Presser Foot** (wide) for 36395 ...
 40322 1510 " " (narrow) for 36395 ...
 36654 1510 " " for tucking shirt bosoms, for 36670 ...

52032 **Throat Plate**, large needle hole, for 52031 ...
 52033 967 " " small " " " 52031 ...

36670 **Tucker** (long arm), complete, for tango tucking, Nos. 36388, 36394, 36654 and two 402d ...

From the library of Diamond Needle Corp

KNEE LIFTER

No.	Plate							
5596	1497	Bell Crank
5599	1497	"	"	Bracket
178e	1324	"	"	"	Screw
5601	1498	"	"	Hinge Pin
5735	1498	"	"	Spring
56848	---	"	"	5596 with 5599 and 5601
5598	1497	Bell Crank , complete, Nos. 5735 and 56848
12237	1514	Lifting Lever with 448c
52028	1497	"	"	Connecting Rod
12416	1316	"	"	"	"	Joint
76d	1324	"	"	"	"	"	Hinge Screw	...
1521e	1325	"	"	"	"	Lock Nut
802d	1325	"	"	Hinge Screw
12241	1316	"	"	Link
766d	1324	"	"	"	"	Hinge Screw
12240	1316	"	"	Pin
448c	1324	"	"	"	"	Set Screw
2763	1514	Rock Shaft
97502	1815	"	"	Bracket
---	---	"	"	"	"	Screw (Wood), 1" No. 10
2765	1514	"	"	Knee Arm
2766	1514	"	"	"	"	Hub with 356c
356c	1324	"	"	"	"	"	Set Screw	...
2768	---	"	"	"	"	complete, Nos. 2765 to 2767
2767	1514	"	"	"	"	Plate with 356c
356c	1324	"	"	"	"	"	Set Screw	...
6337	1514	"	"	Lifting Bracket with two 356c
2778	1514	"	"	"	"	Hook
356c	1324	"	"	"	"	"	Set Screw	...
356c	1324	"	"	"	"	"	Set Screw	...
2770	1514	"	"	Stop Dog with 356c
356c	1324	"	"	"	"	"	Set Screw	...
85245	1514	Rock Shaft , complete, Nos. 2763, 2768, 2778, 6337, two each 2770, 97502 and four Wood Screws 1" No. 10
85246	---	Knee Lifter , complete, Nos. 76d, 766d, 802d, 1521e, 5598, 12237, 12240, 12241, 12416, 52028, 85245 and two 178e

TAPE HOLDER

(8 IN. DISC)

FOR 96K14 MACHINE.

No.	Plate							
26061	7708	Bracket Wire with Disc
26062	7708	Disc (adjustable) with 286d and 35925
35925	---	"	"	Hub
286d	1324	"	"	Thumb Screw
26063	7708	Tape Holder (straight), 8" disc, complete, Nos. 26061 and 26062
190d	1324	Tape Holder Set Screw

THREAD UNWINDER

FOR TWO SPOOLS OF THREAD.

No.	Plate							
225325	1621	Spool Rest with 201018c
225388	1621	"	"	Rod
200383c	1325	"	"	"	"	Set Screw
201018c	1515	"	"	"	"	Set Screw
202490	1621	"	"	Stand with 200383c
225391	1621	Thread Guide
201696j	1515	"	"	Lock Nut
225326	---	"	"	Position Cup
225324	1621	"	"	Rod with 208c and 225322
208c	1515	"	"	"	"	Screw
225322	---	"	"	"	"	Washer
225396	1621	Thread Unwinder , complete, Nos. 201696j, 202490, 225324 to 225326, 225388, two 225391 and three Wood Screws $\frac{7}{8}$ " No. 12